

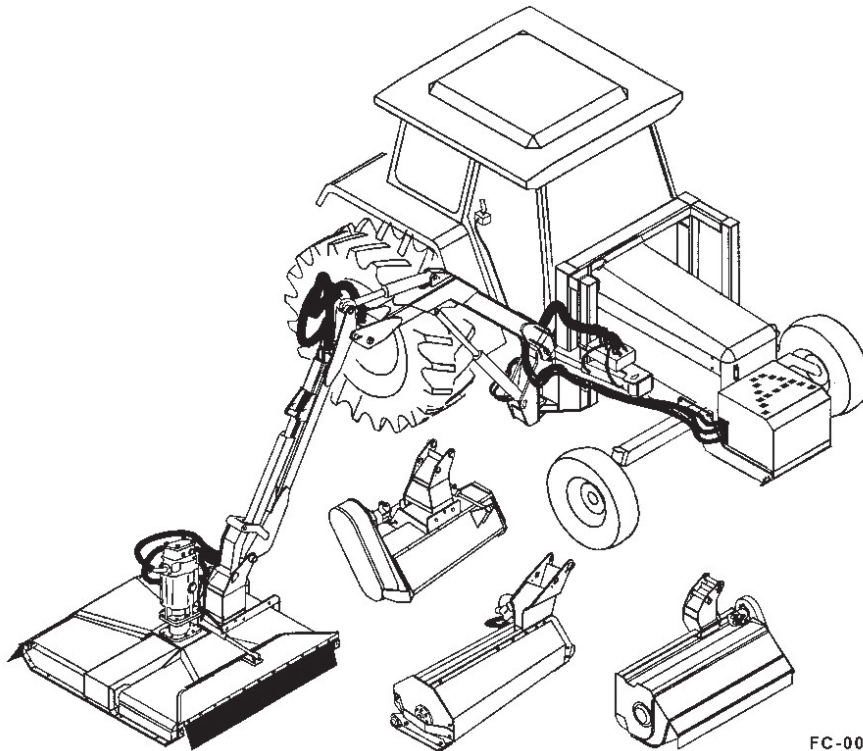


Boom Arm Mower

Pub 12-08

Part No. 02986941P

PART'S MANUAL



FC-0002

¡ATENCIÓN!

LEA EL INSTRUCTIVO

Si No Lee Ingles, Pida Ayuda a Alguien
Que Si Lo Lea Para Que le Traduzca las
Medidas de Seguridad.



An Operator's Manual was shipped with the equipment in the Manual Canister. This Operator's Manual is an integral part of the safe operation of this machine and must be maintained with the unit at all times. **READ, UNDERSTAND, and FOLLOW** the Safety and Operation Instructions contained in this manual before operating the equipment. If the Operator's Manual is not with the equipment, contact your dealer or Servis-Rhino (800-446-5158) to obtain a Free copy before operating the equipment.

ALAMO INDUSTRIAL

1502 E. Walnut
Seguin, Texas 78155
210-372-3551



TO THE OWNER/OPERATOR/DEALER

All implements with moving parts are potentially hazardous. There is no substitute for a cautious, safe-minded operator who recognizes the potential hazards and follows reasonable safety practices. The manufacturer has designed this implement to be used with all its safety equipment properly attached to minimize the chance of accidents.

BEFORE YOU START!!

Read the safety messages on the implement and shown in your manual.
Observe the rules of safety and common sense!

 <h1 style="font-size: 4em; margin: 0;">DANGER</h1>			
<p>FAILING TO FOLLOW SAFETY MESSAGES AND OPERATING INSTRUCTIONS CAN CAUSE SERIOUS BODILY INJURY OR EVEN DEATH TO OPERATOR AND OTHERS IN THE AREA.</p>			
<p>1.</p> 	<p>2. NO RIDERS, NO CHILDREN OPERATORS.</p> 	<p>3. USE SAFETY SHOES, HARD HAT, SAFETY GLASSES, SEAT BELTS, & ROPS.</p> 	<p>4. BLOCK UP SECURELY BEFORE WORKING UNDER.</p> 
<p>1. Study and understand Operator's Manuals, Safety Signs, and Instructional Decals for tractor & flail mower to prevent misuse, abuse, & accidents. Practice before operating mower in a confined area or near passersby.</p> <ul style="list-style-type: none"> ● Learn how to stop engine suddenly in an emergency. Be alert for passersby and especially children. <p>2. Allow no children on or near implement of tractor. Allow no riders on tractor or implement. Falling off can cause serious injury or death from being runover by tractor or mower or contact with Flail Mower Blades.</p> <p>3. Operate only with tractor having Roll-Over Protective Structure (ROPS) and with seatbelt fastened securely and snugly to prevent injury and possible death from falling off or tractor overturn. Personal Protective Equipment such as Hard Hat, Safety Glasses, Safety Shoes, and Ear Plugs are recommended.</p> <p>4. Block up or support raised machine and all lifted components securely before putting hands or feet under or working underneath any lifted component to prevent crushing injury or death from sudden dropping or inadvertent operation of controls. Make certain that area is clear before lowering or folding.</p> <p>5. Before transporting, put Lift Lever in detent or full-lift position. Install Transport Safety Devices securely on folding implements. Slowdown when turning and on hillsides.</p> <ul style="list-style-type: none"> ● Install Restrictor in folding circuit to slow down lowering and unfolding if action is faster than is desirable. <p>6. Make certain that SMV sign, Warning Lights, and Reflectors are clearly visible. Follow local traffic codes.</p> <p>7. Never operate with Flail Mower or Folding Section raised if passersby, bystanders or traffic are in the area to reduce possibility of injury or death from objects thrown by Blades under Shields or implement structure.</p> <p>8. Before dismounting, secure flail mower in transport position or lower to ground.</p> <ul style="list-style-type: none"> ● Put tractor in park or set brake, disengage PTO, stop engine, remove key, and wait until noise of rotation has ceased to prevent entanglement in rotating parts which may cause injury or death. ● Never mount or dismount a moving vehicle. Crushing from runover may cause injury or death. 			
<p>5. TRANSPORT SAFELY, LOCK UP.</p> 	<p>6. USE SMV, LIGHTS, & REFLECTORS.</p> 	<p>7. DO NOT OPERATE WITH MOWER OR WING RAISED.</p> 	<p>8. DO NOT MOUNT OR DISMOUNT WHILE MOVING.</p> 
002369			

WARRANTY INFORMATION:

Read and understand the complete Warranty Statement found in this Manual. Fill out the Warranty Registration Form in full and return it within 30 Days. Make certain the Serial Number of the Machine is recorded on the Warranty Card and on the Warranty Form that you retain. The use of "will-fit" parts will void your warranty and can cause catastrophic failure with possible injury or death.

PARTS SECTION

PARTS ORDERING GUIDE

The following instructions are offered to help eliminate needless delay and error in processing purchase orders for the equipment in this section.

1. The Parts Section is prepared in logical sequence and grouping of parts that belong to the basic machine featured in this manual. Part Numbers and Descriptions are given to help locate the parts and quantities required.
2. The Purchase Order must include the name and address of the person or organization ordering the parts, who should be charged, and if possible, the serial number of the machine for which the parts are ordered.
3. The Purchase Order must clearly list the quantity of each part, the complete and correct part number (be sure to include all periods), and the basic name of the part.
4. The Manufacturer reserves the right to substitute parts where applicable.
5. Some parts are unlisted items which are special production items not normally stocked and are subject to special handling. Request a quotation for such parts before sending a Purchase Order.
6. The Manufacturer reserves the right to change prices without prior notice.

NOTE: Please refer to The Safety Section in the front of this Manual for the proper Part Number when ordering Replacement Safety Decals.



For maximum safety and to guarantee optimum product reliability, always use genuine Servis-Rhino Parts. The use of inferior replacement parts may cause premature or catastrophic failure which could result in serious injury or death. Direct any questions regarding parts to:

ALAMO INDUSTRIAL

ALAMO INDUSTRIAL

1502 E. Walnut
Seguin, Texas 78155
830-379-1480



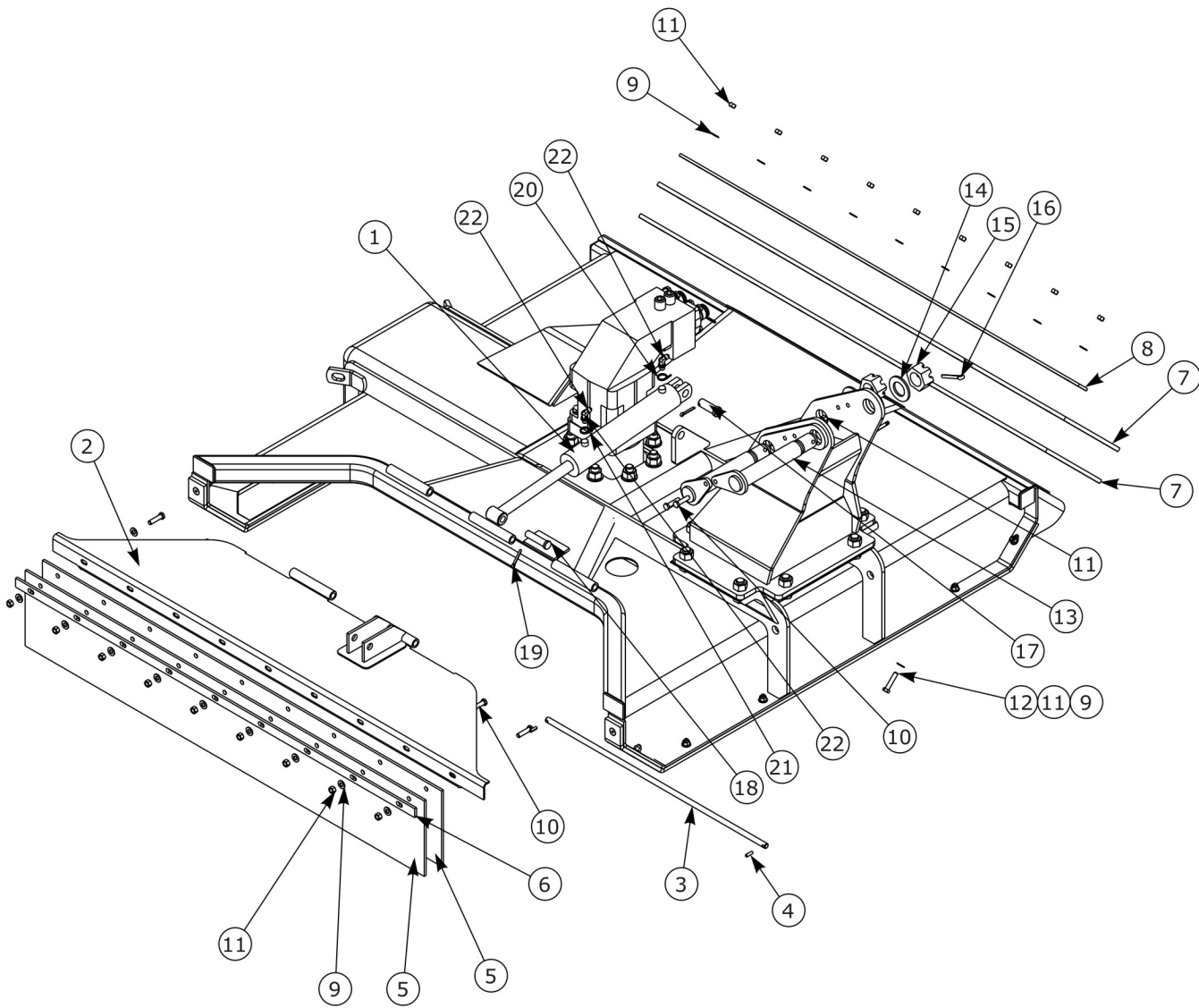
PART NAME INDEX

50 IN ROTARY - BLADE BAR - HEAD ASY (SOLID MNT).....	5
50 IN ROTARY - BLADE BAR - HEAD SUB-ASY (SOLID MNT).....	7
50 IN ROTARY - BLADE BAR - HEAD ASY (SWIVEL MNT).....	9
50 IN ROTARY - BLADE BAR - HEAD SUB-ASY (SWIVEL MNT).....	11
50 IN ROTARY - BLADE BAR ASY.....	13
50 IN ROTARY - BLADE PAN - HEAD ASY (SOLID MNT).....	15
50 IN ROTARY - BLADE PAN - HEAD SUB-ASY (SOLID MNT).....	17
50 IN ROTARY - BLADE PAN - HEAD ASY (SWIVEL MNT).....	19
50 IN ROTARY - BLADE PAN - HEAD SUB-ASY (SWIVEL MNT).....	21
50 IN ROTARY - BLADE PAN ASY.....	23
60 IN ROTARY - BLADE BAR ASY.....	24
60 IN ROTARY - HEAD ASY (SOLID MNT).....	25
60 IN ROTARY - HEAD SUB-ASY (SOLID MNT).....	27
60 IN ROTARY - HEAD ASY (SWIVEL MNT).....	29
60 IN ROTARY - HEAD SUB-ASY (SWIVEL MNT).....	31
ROTARY - MOTOR AND SPINDLE ASY.....	33
ROTARY - MOTOR ASY (PART 1).....	35
ROTARY - MOTOR ASY (PART 2).....	37
ROTARY - SPINDLE ASY.....	39
BOOM ASY - 18 FT BOOM (PART 1).....	41
BOOM ASY - 18 FT BOOM (PART 2).....	43
BOOM ASY - 22 FT BOOM (PART 1).....	45
BOOM ASY - 22 FT BOOM (PART 2).....	47
BOOM ASY - 25 FT BOOM (PART 1).....	49
BOOM ASY - 25 FT BOOM (PART 2).....	51
COMMON CRATE COMPONENTS.....	53
DECALS - 18-22-25 FT BOOM.....	55
DECALS - 50 & 60 IN ROTARY HEAD.....	56
DECALS - HYD TANK AND PUMP.....	57
FILTER ASY.....	58
HIGH FRAME MOUNT ASY - 2WD.....	59
HIGH FRAME MOUNT ASY - 4WD.....	61
HIGH FRAME MOUNT SUB-ASY.....	63
HOSE ROUTING - 18 FT BOOM.....	65
HOSE ROUTING - 18 FT BOOM NOTES.....	66
HOSE ROUTING - 22 FT BOOM.....	67
HOSE ROUTING - 22 FT BOOM NOTES.....	68
HOSE ROUTING - 25 FT BOOM.....	69
HOSE ROUTING - 25 FT BOOM NOTES.....	70
HOSE ROUTING - HYDRAULIC KIT.....	71

PART NAME INDEX

HYDARULIC CYLINDER ASY - DIPPER 22-25 FT BOOM.....	73
HYDARULIC CYLINDER ASY - LIFT BOOM.....	74
HYDRAULIC CYLINDER ASY - HEAD SWIVEL (OPTIONAL).....	75
HYDRAULIC CYLINDER ASY - TILT.....	76
HYDRAULIC TANK SUB-ASY.....	77
HYDRAULIC TANK W/PUMP AND ELECT VALVE ASY.....	79
JOYSTICK CONSOLE ASY.....	81
PUMP ASY - SERVO CONTROLLED (PART 1).....	83
PUMP ASY - SERVO CONTROLLED (PART 2).....	85
PUMP-TANK-VALVE COVER.....	87
VALVE ASSEMBLY - ELECTRO-HYDRAULIC VALVE.....	89
WIRE HARNESS ELECT-HYD VALVE.....	91

50 IN ROTARY - BLADE BAR - HEAD ASY (SOLID MNT)

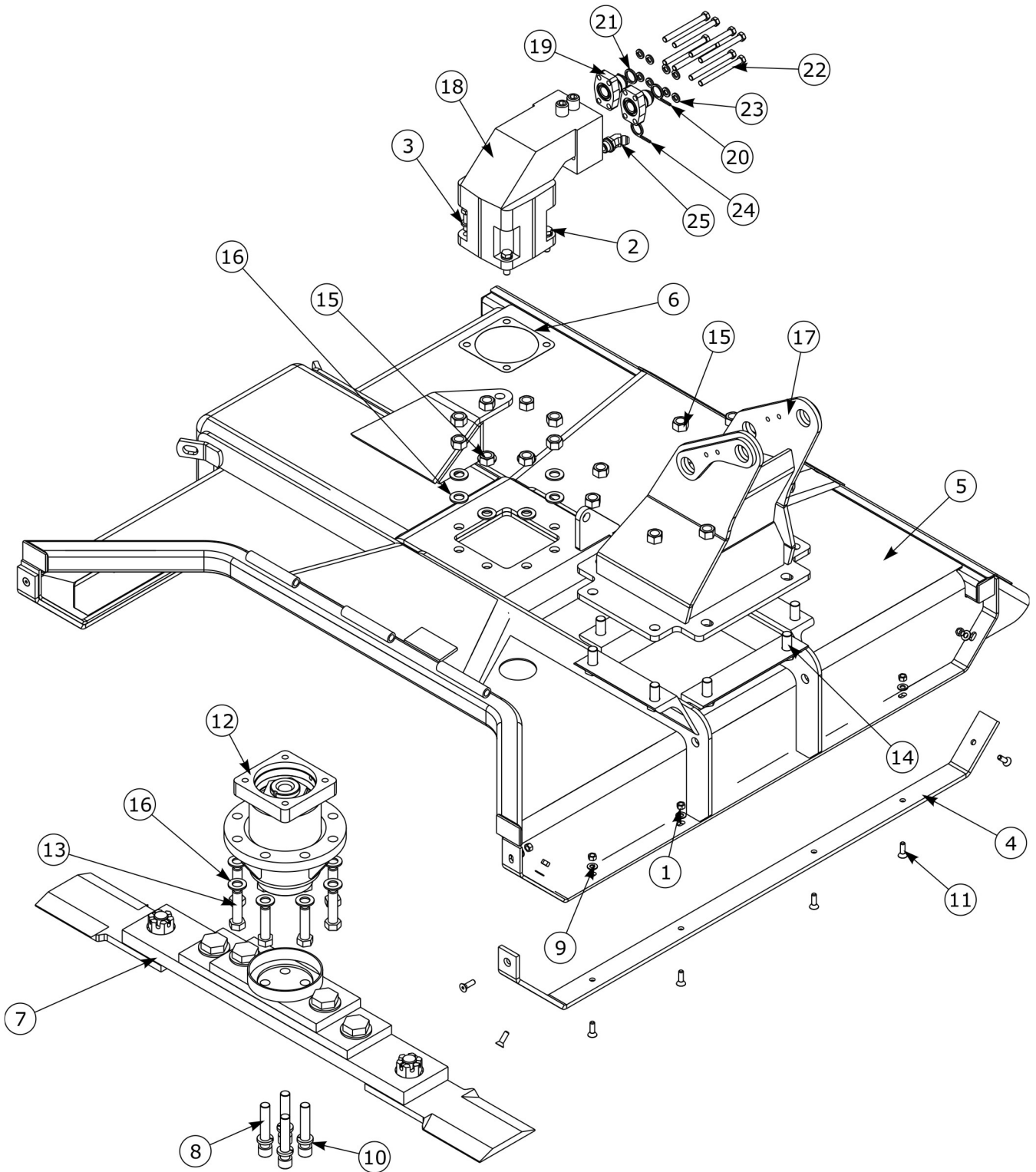


50 IN ROTARY - BLADE BAR - HEAD ASY (SOLID MNT)

Continued...

ITEM	PART NO.	QTY.	DESCRIPTION
	02986704	1	ASY, 50" ROT, PISTON, BAR
1	02961480A	1	HYD CYLINDER 2BORE X 9-1/4 STROKE
2	02982914	1	WELDMENT, DOOR
3	02982915	1	ROD, HINGE
4	99338S	2	PIN ROLL 1/4 X 3/4
5	02982919	2	FLAP, 8 1/2 X 52 X 1/4 THK
6	02982918	1	BAR, HOLD DOWN, FLAP
7	02982920	2	FLAP, REAR 10 X 53 X 3/8 THK
8	02982921	1	BAR, CLAMP, REAR
9	00011100	36	FLATWASHER 3/8 STD
10	00023100	11	HHCS 3/8 X 1-1/2 NC PL GR5
11	00015800	34	LOCKNUT TLM 3/8 NC PLC
12	00007000	9	HHCS 3/8 NC 1-3/4 PL5
13	02981757	2	WELDMENT, PIN, HITCH POST
14	02971702	2	FLATWASHER, 1-3/8 TYPE B PL NARROW
15	02971701	2	NUT, SLOTTED 1-3/8 12NF PLB
16	165020	2	PIN, COTTER 5/16 X 2-1/2 PL
17	651102	1	PIN-DRILLED
18	02976448	1	PIN - MACHINED HEAD
19	00755153	2	PIN, COTTER 3/16 X 1-1/2 PL
20	02968837	1	PLASTIC TIE, YELLOW & WHITE
21	02968836	1	PLASTIC TIE, YELLOW
22	02960018	2	ADP, HYD, ELBOW, 4MB-4MJ90

50 IN ROTARY - BLADE BAR - HEAD SUB-ASY (SOLID MNT)

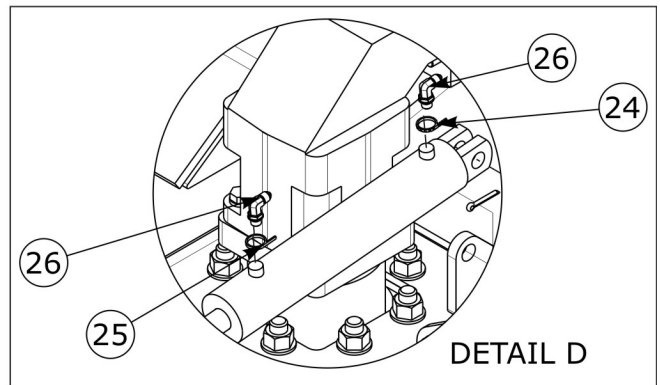
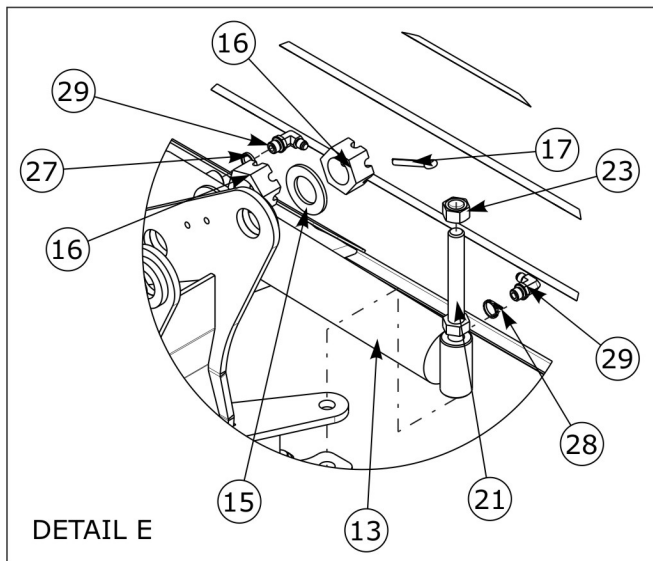
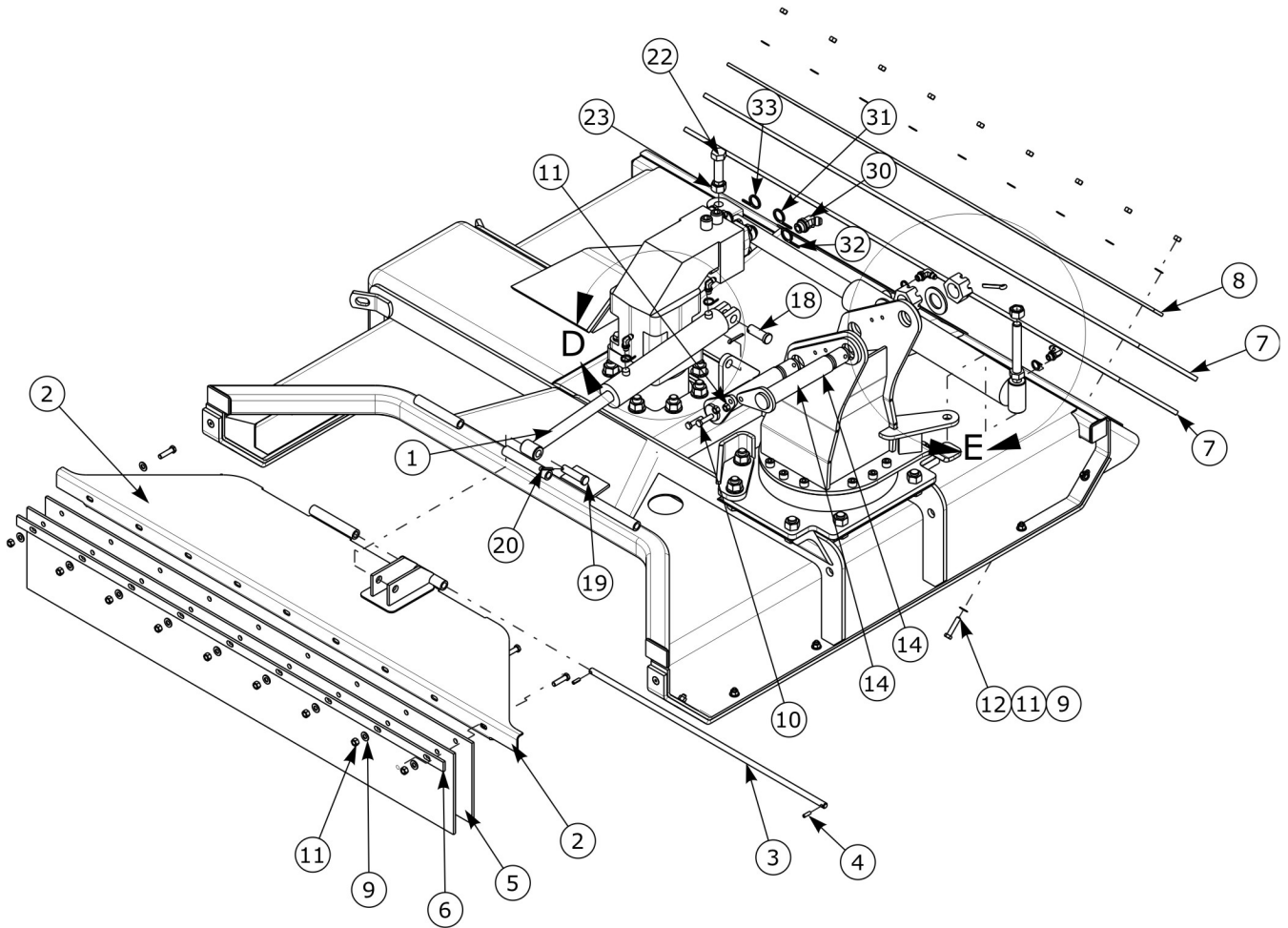


50 IN ROTARY - BLADE BAR - HEAD SUB-ASY (SOLID MNT)

Continued...

ITEM	PART NO.	QTY.	DESCRIPTION
	02986704	1	ASY, 50" ROT, PISTON, BAR
1	00015800	18	LOCKNUT TLM 3/8 NC PLC
2	02891800	4	HHCS 1/2 NC 1-3/4 PL8
3	00019600	4	LOCKWASHER 1/2 HEAVY
4	02982907	2	SKID SHOE
5	02981411	1	WELDMENT, DECK 50" HEAD
6	02961038	1	GASKET
7	02982906	1	ASY, BLADE BAR W/BLADES
8	02964861	4	SHCS 3/4 NC 4" LG PL8
9	15B600	14	WASHER 3/8 SAE P
10	00003901	4	LOCKWASHER 3/4 HEAVY
11	00059700	14	FSCS 3/8 NC X 1-1/4
12	02968859A	1	ASSEMBLY, SPINDLE HOUSING-SPLINED
13	03200269	8	HHCS 3/4 NC 3 PL8
14	02892100	8	HHCS 3/4 NC X 1 3/4" LG
15	00037200	16	NUT 3/4 NC LOCKNUT
16	5312316	16	FLATWASHER 3/4 HARDENED
17	02986200	1	WELDMENT, HITCH POST
18	02979881	1	MOTOR PISTON 4.91 CID
19	02981819	2	ADP HYD STGHT 16FLH-16MJ SPCL
20	02968894	1	PLASTIC TIE, RED, 11LG
21	02968896	1	PLASTIC TIE, ORANGE, 11LG
22	02980236	8	HHCS 7/16 NC X 4 1/2"LG PL5
23	00022200	8	LOCKWASHER 7/16 PL
24	02968895	1	PLASTIC TIE, BLUE, 11LG
25	02972817	1	ADP HYD ELBOW 10MB - 8MJ 45 DEG

50 IN ROTARY - BLADE BAR - HEAD ASY (SWIVEL MNT)

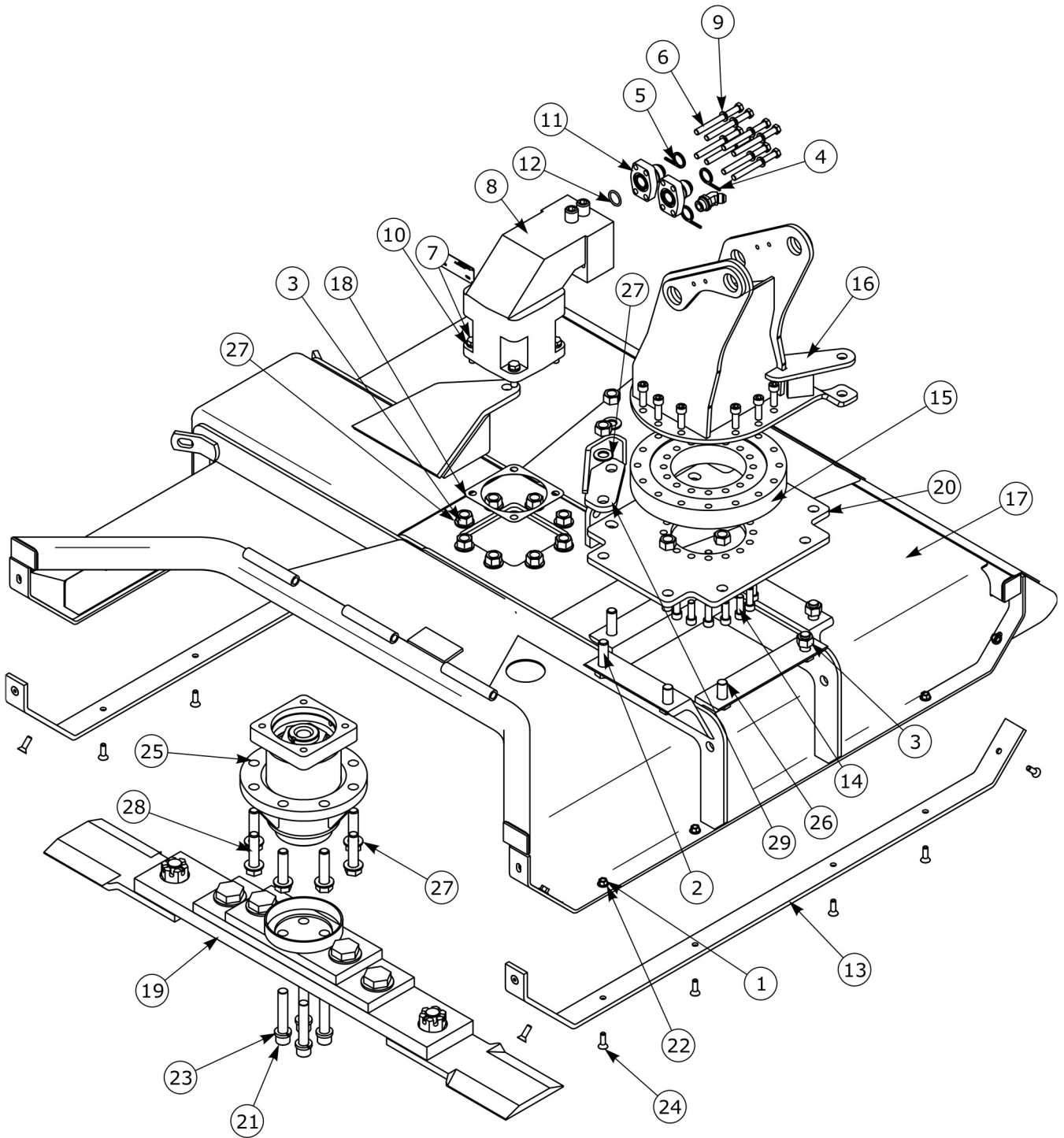


50 IN ROTARY - BLADE BAR - HEAD ASY (SWIVEL MNT)

Continued...

ITEM	PART NO.	QTY.	DESCRIPTION
	02986197	1	ASY, 50" ROT, PISTON, BAR, SW
1	02961480A	1	HYD CYLINDER 2BORE X 9-1/4 STROKE
2	02982914	1	WELDMENT, DOOR
3	02982915	1	ROD, HINGE
4	99338S	2	PIN ROLL 1/4 X 3/4
5	02982919	2	FLAP, 8 1/2 X 52 X 1/4 THK
6	02982918	1	BAR, HOLD DOWN, FLAP
7	02982920	2	FLAP, REAR 10 X 53 X 3/8 THK
8	02982921	1	BAR, CLAMP, REAR
9	00011100	36	FLATWASHER 3/8 STD
10	00023100	11	HHCS 3/8 X 1-1/2 NC PL GR5
11	00015800	20	LOCKNUT TLM 3/8 NC PLC
12	00007000	9	HHCS 3/8 NC 1-3/4 PL5
13	02981315	1	CYLINDER, 2.5B X 1.5R X 14.38S
14	02981757	2	WELDMENT, PIN, HITCH POST
15	02971702	2	FLATWASHER, 1-3/8 TYPE B PL NARROW
16	02971701	2	NUT, SLOTTED 1-3/8 12NF PLB
17	165020	2	PIN, COTTER 5/16 X 2-1/2 PL
18	651102	1	PIN-DRILLED
19	02976448	1	PIN - MACHINED HEAD
20	00755153	2	PIN, COTTER 3/16 X 1-1/2 PL
21	03200267	1	HHCS 3/4 NC 5 PL8
22	02963646	3	HHCS 3/4 NC 2-1/2 PL8
23	00037200	18	NUT 3/4 NC LOCKNUT
24	02968837	1	PLASTIC TIE, YELLOW & WHITE
25	02968836	1	PLASTIC TIE, YELLOW
26	02960018	2	ADP, HYD, ELBOW, 4MB-4MJ90
27	02968832	1	PLASTIC TIE, GREEN
28	02968833	1	PLASTIC TIE, GREEN & WHITE
29	03200762	2	ADP, HYD 6MB-4MJ 90
30	02972817	1	ADP HYD ELBOW 10MB - 8MJ 45 DEG
31	02968894	1	PLASTIC TIE, RED, 11LG
32	02968895	1	PLASTIC TIE, BLUE, 11LG
33	02968896	1	PLASTIC TIE, ORANGE, 11LG

50 IN ROTARY - BLADE BAR - HEAD SUB-ASY (SWIVEL MNT)

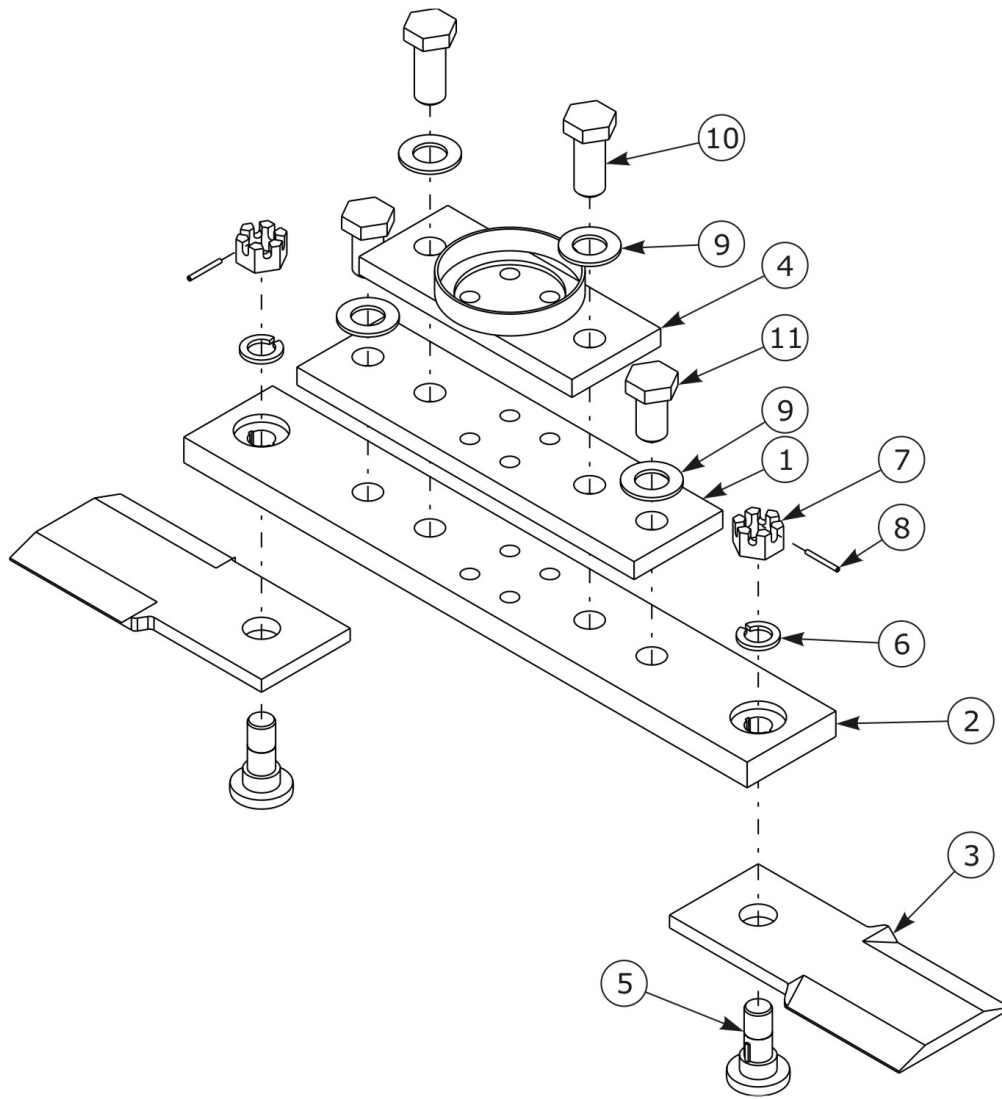


50 IN ROTARY - BLADE BAR - HEAD SUB-ASY (SWIVEL MNT)

Continued...

ITEM	PART NO.	QTY.	DESCRIPTION
	02986197	1	ASY, 50" ROT, PISTON, BAR, SW
1	00015800	20	LOCKNUT TLM 3/8 NC PLC
2	02963646	3	HHCS 3/4 NC 2-1/2 PL8
3	00037200	18	NUT 3/4 NC LOCKNUT
4	02968894	1	PLASTIC TIE, RED, 11LG
5	02968896	1	PLASTIC TIE, ORANGE, 11LG
6	02980236	8	HHCS 7/16 NC X 4 1/2" LG PL5
7	02891800	4	HHCS 1/2 NC 1-3/4 PL8
8	02979881	1	MOTOR PISTON 4.91 CID
9	00022200	8	LOCKWASHER 7/16 PL
10	00019600	4	LOCKWASHER 1/2 HEAVY
11	02981819	2	ADP HYD STGHT 16FLH-16MJ SPCL
12	02980237	1	O-RING .139 DIA X 1.296 INSIDE
13	02982907	2	SKID SHOE
14	02981820	28	SHCS 1/2 NC X 1 1/2" LG PL8
15	02981318	1	SLEWING BEARING, 12 OD X 5.8 ID
16	02985319	1	WELDMENT, HITCH POST
17	02981411	1	WELDMENT, DECK 50" HEAD
18	02961038	1	GASKET
19	02982906	1	ASY, BLADE BAR W/BLADES
20	02981752	1	PLATE, HITCH POST BOTTOM, MAVERICK
21	02964861	4	SHCS 3/4 NC 4" LG PL8
22	15B600	14	WASHER 3/8 SAE P
23	00003901	4	LOCKWASHER 3/4 HEAVY
24	00059700	14	FSCS 3/8 NC X 1-1/4
25	02968859A	1	ASSEMBLY, SPINDLE HOUSING-SPLINED
26	02892100	6	HHCS 3/4 NC X 1 3/4" LG
27	5312316	18	FLATWASHER 3/4 HARDENED
28	03200269	8	HHCS 3/4 NC 3 PL8
29	02984002	1	WLDMNT, STOP, SWIVEL

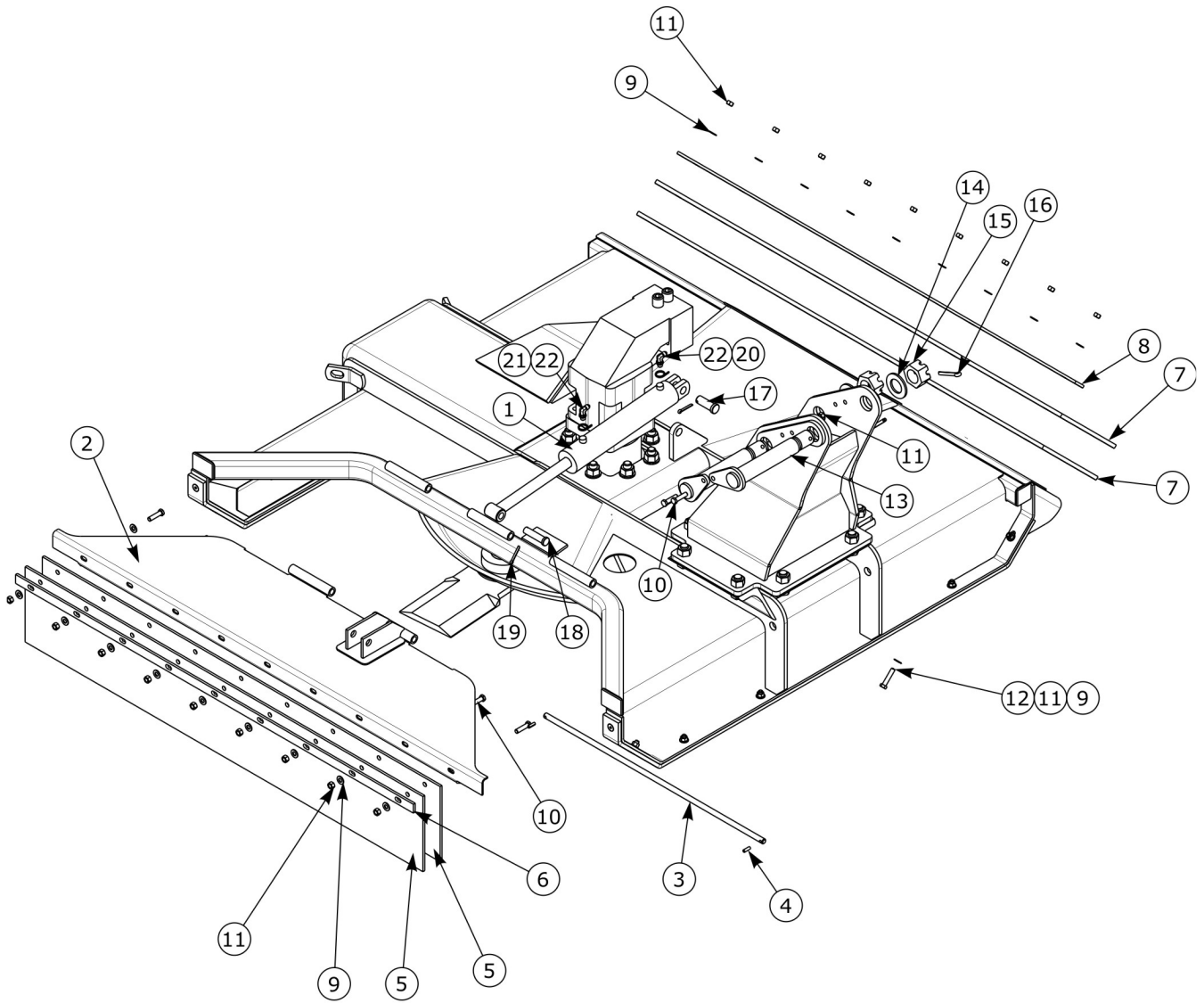
50 IN ROTARY - BLADE BAR ASY



ITEM	PART NO.	QTY.	DESCRIPTION
	02982906	1	ASY, BLADE BAR W/BLADES
1	02982912	1	LEAF, MIDDLE, BLADE BAR
2	02982913	1	LEAF, BOTTOM, BLADE BAR
3	02962635	2	BLADE, CW ROTATION
4	02982934	1	WLDMT. TOP BLADE BAR
5	02782900	2	BOLT, BLADE
6	02957089	2	LOCKWASHER 1-1/8 PL STD
7	00020900	2	NUT, SLOTTED, HVY, 1-1/8NF PL GR5
8	00023200	2	PIN, ROLL, 3/16X1-3/4
9	15C2000	4	WASHER, 1.375 X 2.50 X .165, HARDENED
10	02969235	2	HHCS, 1-1/4X3 PL GR8
11	02969236	2	HHCS, 1-1/4X2-1/4 PL GR8

THIS PAGE INTENTIONAL LEFT BLANK

50 IN ROTARY - BLADE PAN - HEAD ASY (SOLID MNT)

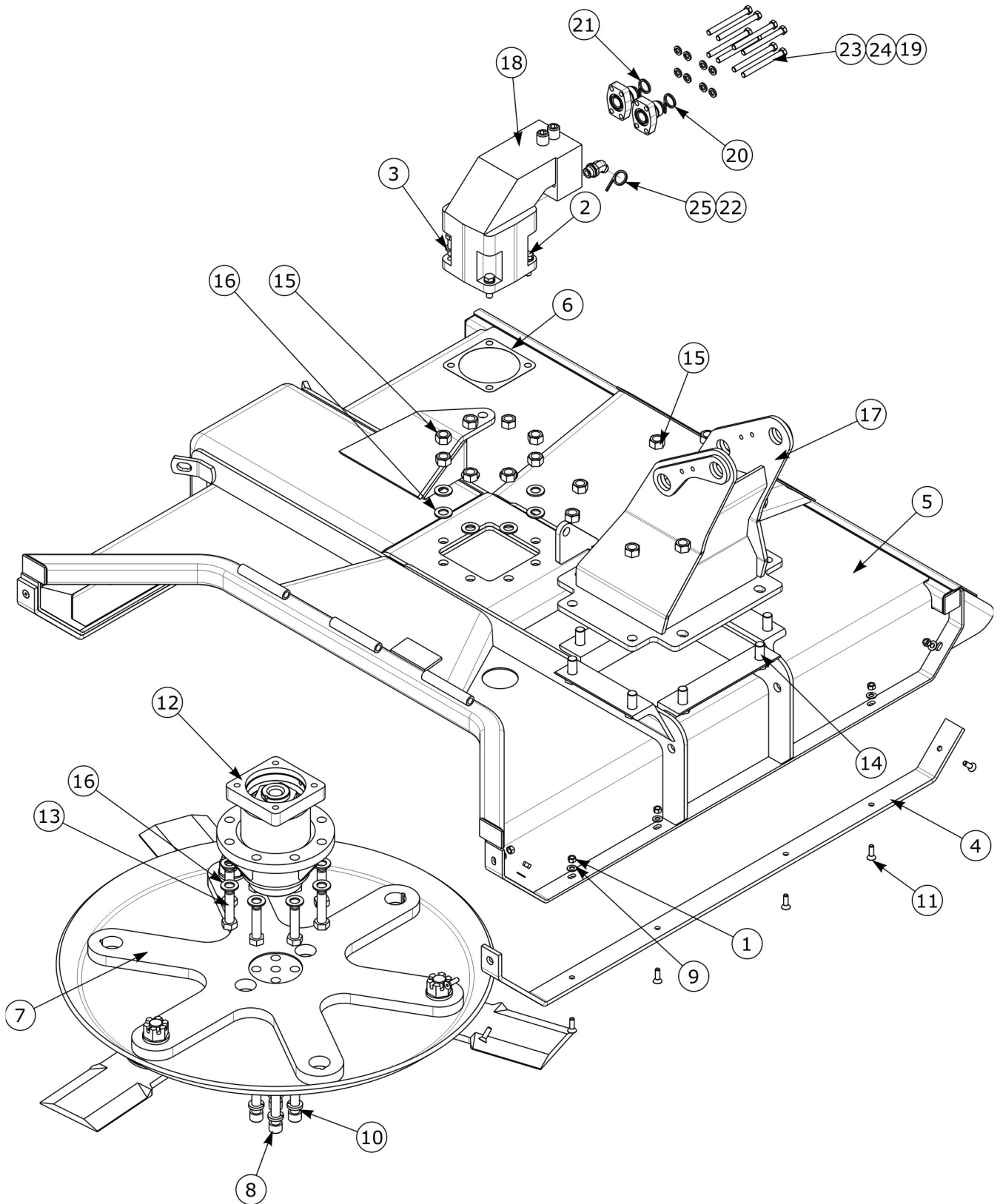


50 IN ROTARY - BLADE PAN - HEAD ASY (SOLID MNT)

Continued...

ITEM	PART NO.	QTY.	DESCRIPTION
	02986703	1	ASY, 50" ROT, PISTON, PAN
1	02961480A	1	HYD CYLINDER 2BORE X 9-1/4 STROKE
2	02982914	1	WELDMENT, DOOR
3	02982915	1	ROD, HINGE
4	99338S	2	PIN ROLL 1/4 X 3/4
5	02982919	2	FLAP, 8 1/2 X 52 X 1/4 THK
6	02982918	1	BAR, HOLD DOWN, FLAP
7	02982920	2	FLAP, REAR 10 X 53 X 3/8 THK
8	02982921	1	BAR, CLAMP, REAR
9	00011100	36	FLATWASHER 3/8 STD
10	00023100	11	HHCS 3/8 X 1-1/2 NC PL GR5
11	00015800	34	LOCKNUT TLM 3/8 NC PLC
12	00007000	9	HHCS 3/8 NC 1-3/4 PL5
13	02981757	2	WELDMENT, PIN, HITCH POST
14	02971702	2	FLATWASHER, 1-3/8 TYPE B PL NARROW
15	02971701	2	NUT, SLOTTED 1-3/8 12NF PLB
16	165020	2	PIN, COTTER 5/16 X 2-1/2 PL
17	651102	1	PIN-DRILLED
18	02976448	1	PIN - MACHINED HEAD
19	00755153	2	PIN, COTTER 3/16 X 1-1/2 PL
20	02968837	1	PLASTIC TIE, YELLOW & WHITE
21	02968836	1	PLASTIC TIE, YELLOW
22	02960018	2	ADP, HYD, ELBOW, 4MB-4MJ90

50 IN ROTARY - BLADE PAN - HEAD SUB-ASY (SOLID MNT)

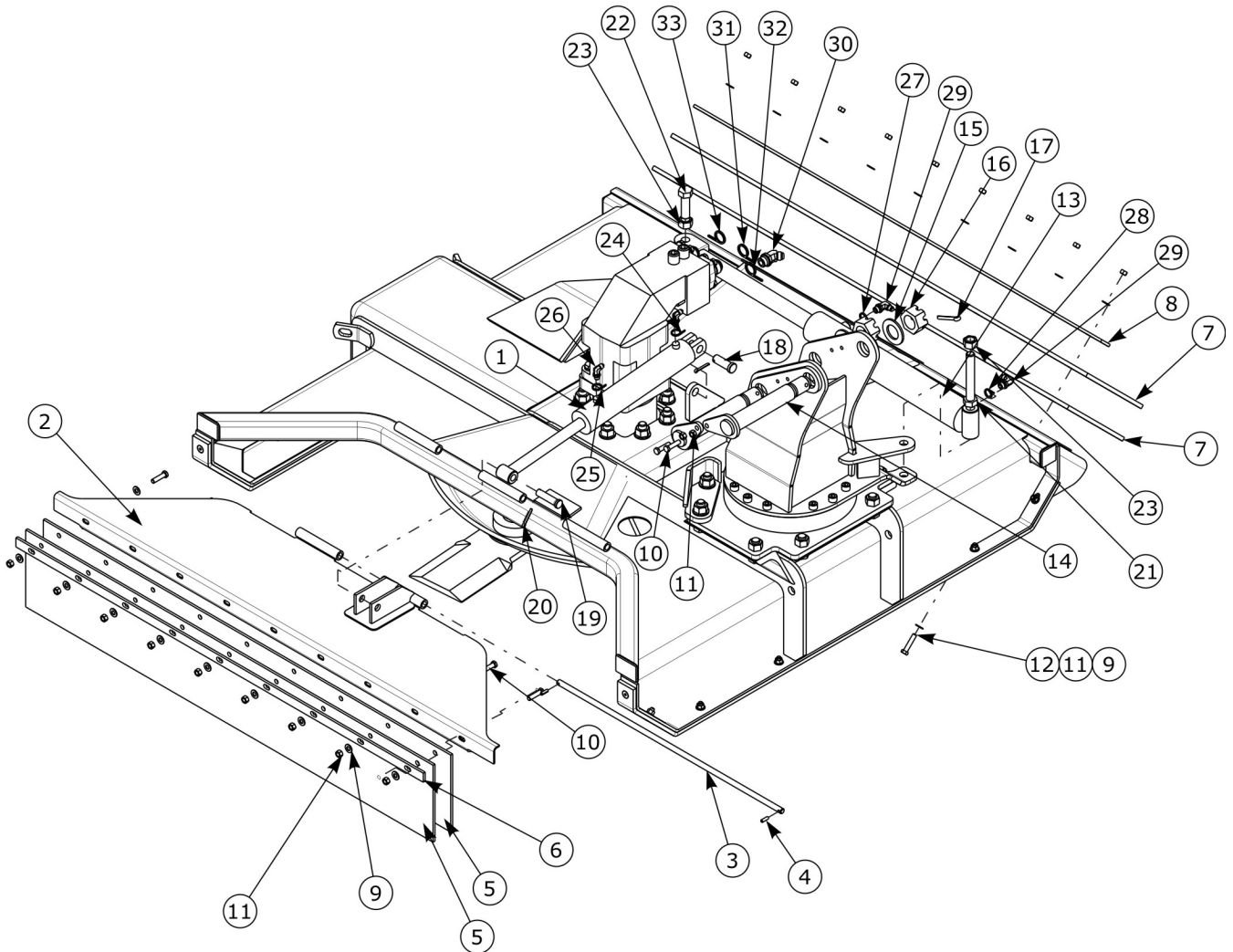


50 IN ROTARY - BLADE PAN - HEAD SUB-ASY (SOLID MNT)

Continued...

ITEM	PART NO.	QTY.	DESCRIPTION
	02986703	1	ASY, 50" ROT, PISTON, PAN
1	00015800	34	LOCKNUT TLM 3/8 NC PLC
2	02891800	4	HHCS 1/2 NC 1-3/4 PL8
3	00019600	4	LOCKWASHER 1/2 HEAVY
4	02982907	2	SKID SHOE
5	02981411	1	WELDMENT, DECK 50" HEAD
6	02961038	1	GASKET
7	02964804	1	PAN ASSY 50" HEAD
8	02964861	4	SHCS 3/4 NC 4" LG PL8
9	15B600	14	WASHER 3/8 SAE P
10	00003901	4	LOCKWASHER 3/4 HEAVY
11	00059700	14	FSCS 3/8 NC X 1-1/4
12	02968859A	1	ASSEMBLY, SPINDLE HOUSING-SPLINED
13	03200269	8	HHCS 3/4 NC 3 PL8
14	02892100	8	HHCS 3/4 NC X 1 3/4" LG
15	00037200	16	NUT 3/4 NC LOCKNUT
16	5312316	16	FLATWASHER 3/4 HARDENED
17	02986200	1	WELDMENT, HITCH POST
18	02979881	1	MOTOR PISTON 4.91 CID
19	02981819	2	ADP HYD STGHT 16FLH-16MJ SPCL
20	02968894	1	PLASTIC TIE, RED, 11LG
21	02968896	1	PLASTIC TIE, ORANGE, 11LG
22	02972817	1	ADP HYD ELBOW 10MB - 8MJ 45 DEG
23	02980236	8	HHCS 7/16 NC X 4 1/2" LG PL5
24	00022200	8	LOCKWASHER 7/16 PL
25	02968895	1	PLASTIC TIE, BLUE, 11LG

50 IN ROTARY - BLADE PAN - HEAD ASY (SWIVEL MNT)

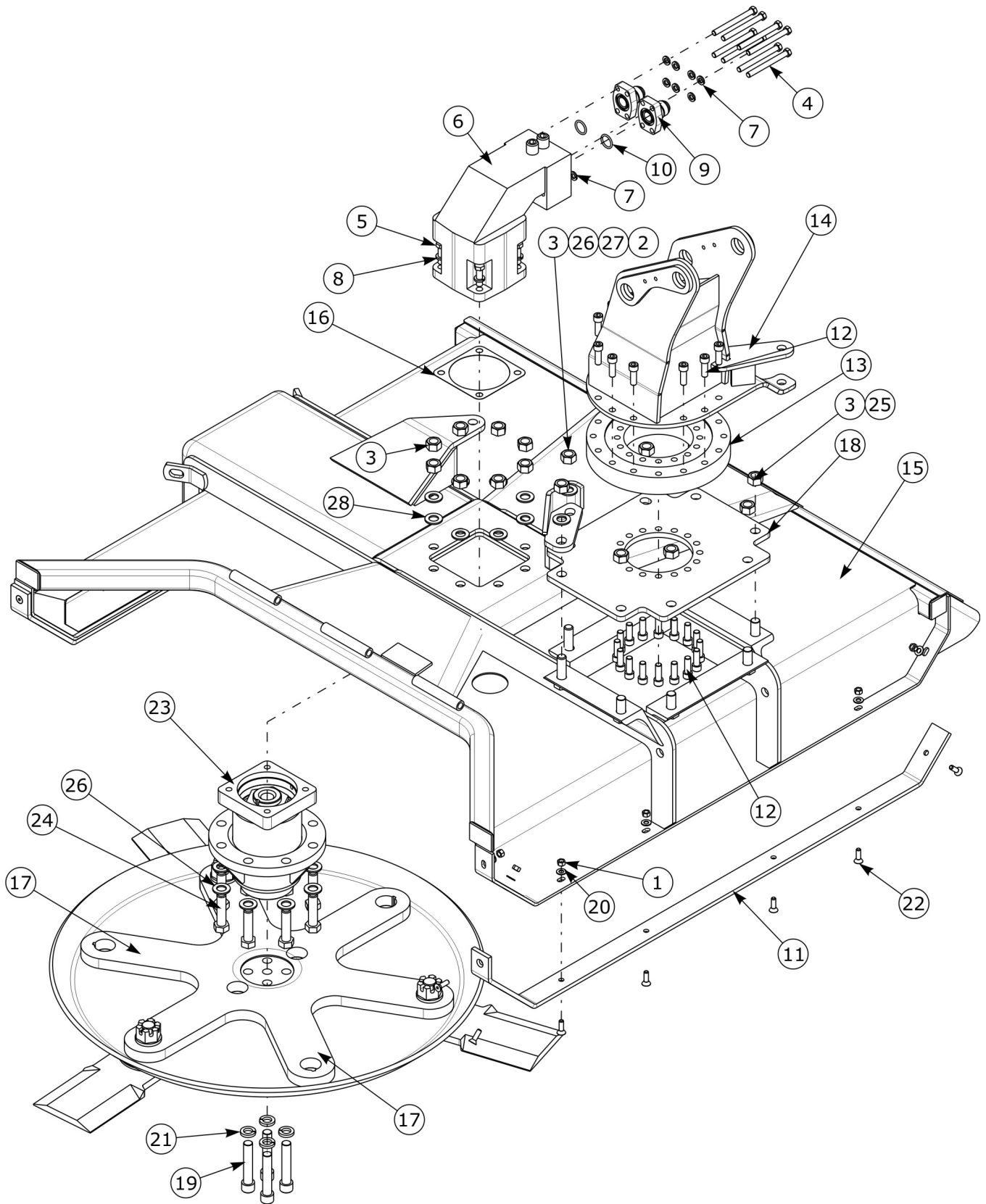


50 IN ROTARY - BLADE PAN - HEAD ASY (SWIVEL MNT)

Continued...

ITEM	PART NO.	QTY.	DESCRIPTION
	02986198	1	ASY, 50" ROT, PISTON, PAN,SW
1	02961480A	1	HYD CYLINDER 2BORE X 9-1/4 STROKE
2	02982914	1	WELDMENT, DOOR
3	02982915	1	ROD, HINGE
4	99338S	2	PIN ROLL 1/4 X 3/4
5	02982919	2	FLAP, 8 1/2 X 52 X 1/4 THK
6	02982918	1	BAR, HOLD DOWN, FLAP
7	02982920	2	FLAP, REAR 10 X 53 X 3/8 THK
8	02982921	1	BAR, CLAMP, REAR
9	00011100	36	FLATWASHER 3/8 STD
10	00023100	11	HHCS 3/8 X 1-1/2 NC PL GR5
11	00015800	34	LOCKNUT TLM 3/8 NC PLC
12	00007000	9	HHCS 3/8 NC 1-3/4 PL5
13	02981315	1	CYLINDER, 2.5B X 1.5R X 14.38S
14	02981757	2	WELDMENT, PIN, HITCH POST
15	02971702	2	FLATWASHER, 1-3/8 TYPE B PL NARROW
16	02971701	2	NUT, SLOTTED 1-3/8 12NF PLB
17	165020	2	PIN, COTTER 5/16 X 2-1/2 PL
18	651102	1	PIN-DRILLED
19	02976448	1	PIN - MACHINED HEAD
20	00755153	2	PIN, COTTER 3/16 X 1-1/2 PL
21	03200267	1	HHCS 3/4 NC 5 PL8
22	02963646	3	HHCS 3/4 NC 2-1/2 PL8
23	00037200	18	NUT 3/4 NC LOCKNUT
24	02968837	1	PLASTIC TIE, YELLOW & WHITE
25	02968836	1	PLASTIC TIE, YELLOW
26	02960018	2	ADP, HYD, ELBOW, 4MB-4MJ90
27	02968832	1	PLASTIC TIE, GREEN
28	02968833	1	PLASTIC TIE, GREEN & WHITE
29	03200762	2	ADP, HYD 6MB-4MJ 90
30	02972817	1	ADP HYD ELBOW 10MB - 8MJ 45 DEG
31	02968894	1	PLASTIC TIE, RED, 11LG
32	02968895	1	PLASTIC TIE, BLUE, 11LG
33	02968896	1	PLASTIC TIE, ORANGE, 11LG

50 IN ROTARY - BLADE PAN - HEAD SUB-ASY (SWIVEL MNT)

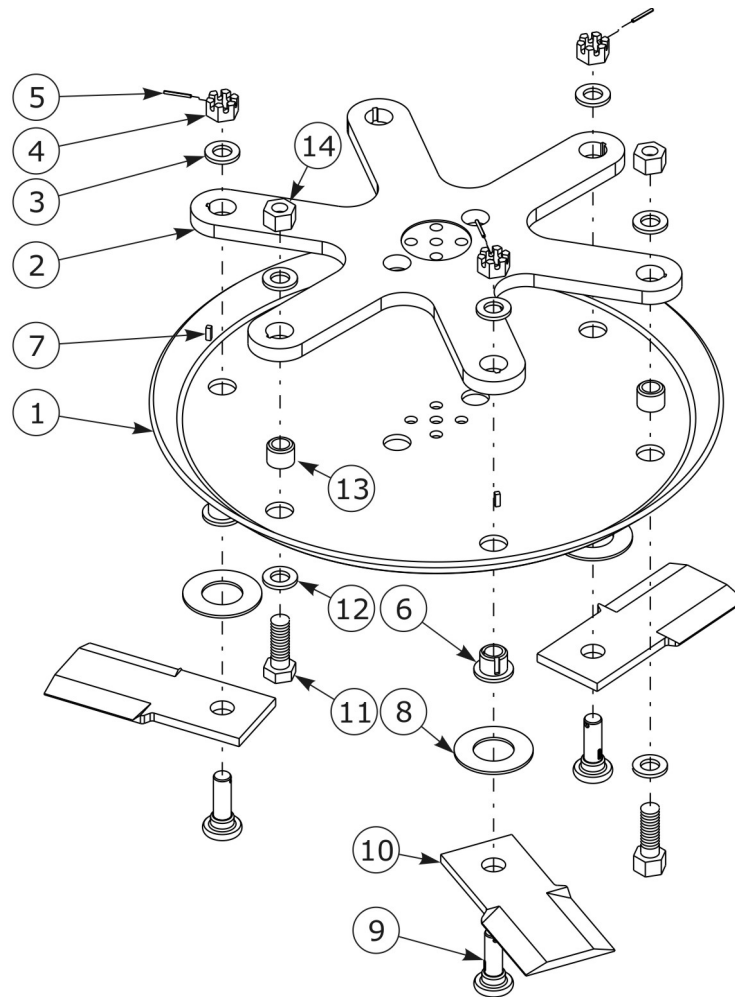


50 IN ROTARY - BLADE PAN - HEAD SUB-ASY (SWIVEL MNT)

Continued...

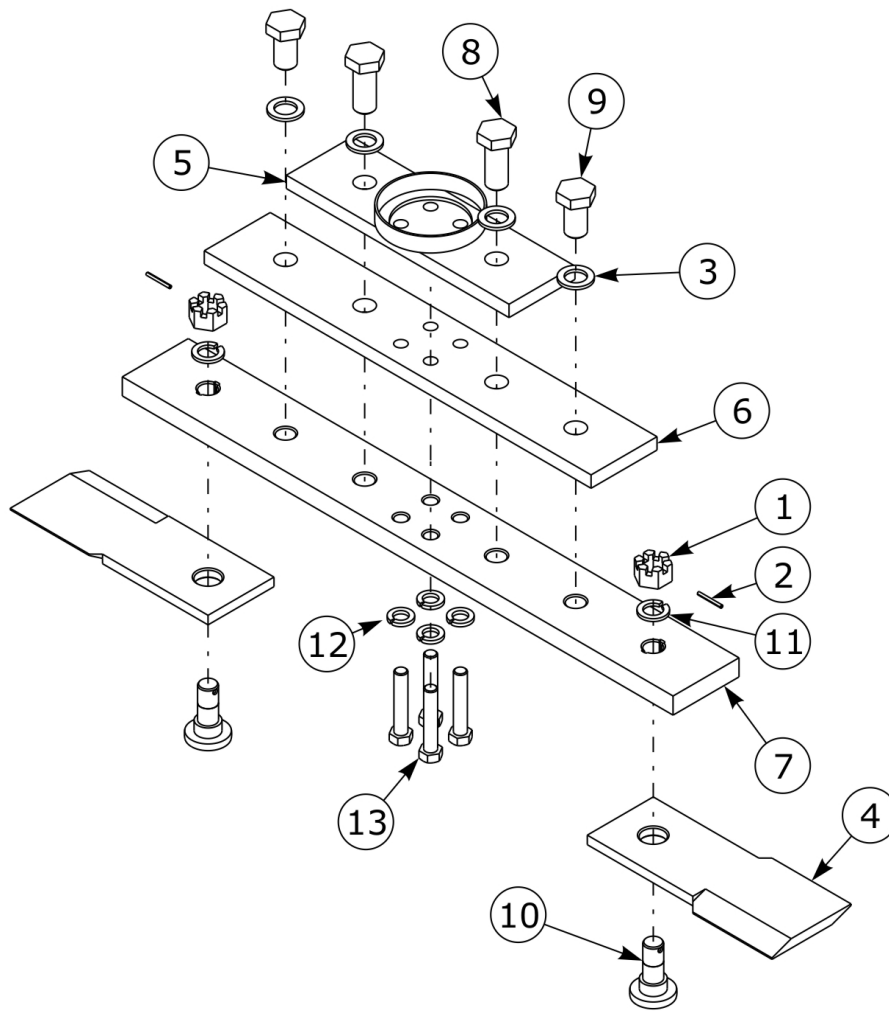
ITEM	PART NO.	QTY.	DESCRIPTION
	02986198	1	ASY, 50" ROT, PISTON, PAN,SW
1	00015800	34	LOCKNUT TLM 3/8 NC PLC
2	02963646	3	HHCS 3/4 NC 2-1/2 PL8
3	00037200	18	NUT 3/4 NC LOCKNUT
4	02980236	8	HHCS 7/16 NC X 4 1/2" LG PL5
5	02891800	4	HHCS 1/2 NC 1-3/4 PL8
6	02979881	1	MOTOR PISTON 4.91 CID
7	00022200	8	LOCKWASHER 7/16 PL
8	00019600	4	LOCKWASHER 1/2 HEAVY
9	02981819	2	ADP HYD STGHT 16FLH-16MJ SPCL
10	02980237	2	O-RING .139 DIA X 1.296 INSIDE
11	02982907	2	SKID SHOE
12	02981820	28	SHCS 1/2 NC X 1 1/2" LG PL8
13	02981318	1	SLEWING BEARING, 12 OD X 5.8 ID
14	02985319	1	WELDMNT, HITCH POST
15	02981411	1	WELDMNT, DECK 50" HEAD
16	02961038	1	GASKET
17	02964804	1	PAN ASSY 50" HEAD
18	02981752	1	PLATE, HITCH POST BOTTOM, MAVERICK
19	02964861	4	SHCS 3/4 NC 4" LG PL8
20	15B600	14	WASHER 3/8 SAE P
21	00003901	4	LOCKWASHER 3/4 HEAVY
22	00059700	14	FSCS 3/8 NC X 1-1/4
23	02968859A	1	ASSEMBLY, SPINDLE HOUSING-SPLINED
24	03200269	8	HHCS 3/4 NC 3 PL8
25	02892100	6	HHCS 3/4 NC X 1 3/4" LG
26	5312316	18	FLATWASHER 3/4 HARDENED
27	02984002	1	WLDMNT, STOP, SWIVEL

50 IN ROTARY - BLADE PAN ASY



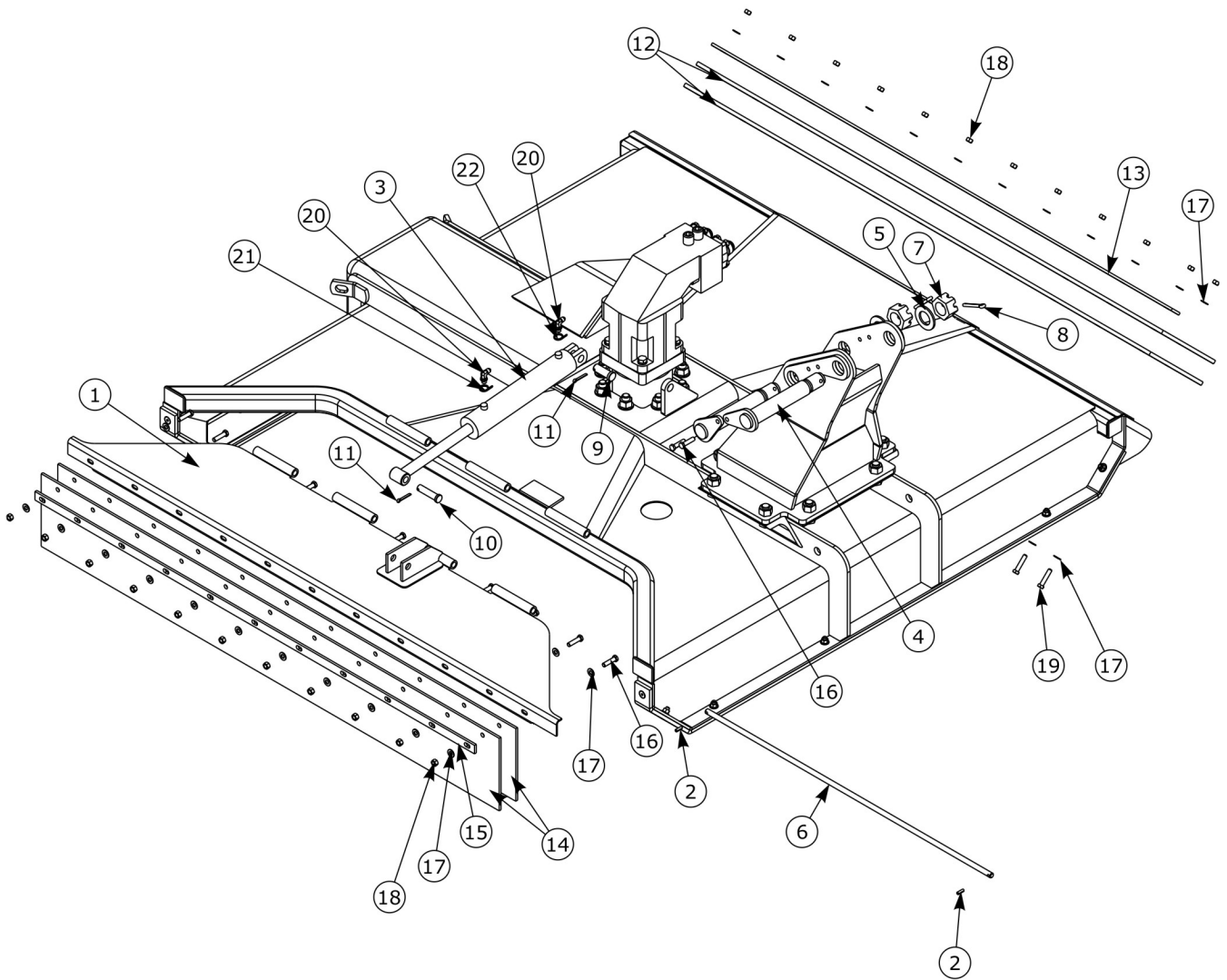
ITEM	PART NO.	QTY.	DESCRIPTION
	02964804	1	PAN ASSY
1	02964826	1	PAN,MACHINED 28.00 BC
2	02964828	1	SPIDER, MACHNED 28.00 BC
3	00755623	3	WASHER 2.200 OD1.218 1DX.250
4	00020900	3	NUT SLOT HVY 1-1/8 NF PL5
5	00023200	3	PIN ROLL 3/16X1-3/4
6	02964815	4	BUSHING, BLADE BOLT
7	02964954	3	KEY,5/16 SQ X 15/16 LONG
8	02965229	3	WASHER, 2-19/32 ID 5.0 OD 3/16
9	02964330	3	KEYED BLADE BOLT
10	02962722	1	BLADES-SET OF 3(50B/A HEAD)
11	7A16824	3	HHCS 1 NC 3 PL5
12	00748547	6	FLATWASHER 1-1/32 X
13	02964162	3	SPACER BLADE PAN WITH SPIDER
14	02030300	3	NUT TOPLOCK 1 NC PLB

60 IN ROTARY - BLADE BAR ASY



ITEM	PART NO.	QTY.	DESCRIPTION
	02969230	1	BLADE BAR ASY, W/ BLADES
1	00020900	2	HEX SLOTTED NUT, HVY 1-1/8"-NF PL GR5
2	00023200	2	ROLL PIN, 3/16" X 1-3/4"
3	02969234	4	FLATWASHER, 1-1/4" HARDENED PL
4	02761500	1	BLADE SET, MATCHED SET OF TWO
5	02971387	1	LEAF BLADE BAR, TOP
6	02969232	1	LEAF BLADE BAR, MIDDLE
7	02969233	1	LEAF BLADE BAR, BOTTOM
8	02969235	2	BOLT, HEX HEAD 1-1/4"-NC X 3" PL GR8
9	02969236	2	BOLT, HEX HEAD 1-1/4"-NC X 2-1/4" PL GR8
10	02782900	2	BLADE BOLT, SHOULDERED
11	02957089	2	LOCKWASHER, 1-1/8" PL STD
12	00003901	4	LOCKWASHER, 3/4" PL HEAVY
13	02964861	4	BOLT, SOCKET HEAD 3/4"-NC X 4" PL GR8
14	02984572	1	BLADE BOLTS, NUTS, ROLLPIN KIT (INCLUDES 2 EACH OF ITEMS 1, 2, & 10)

60 IN ROTARY - HEAD ASY (SOLID MNT)

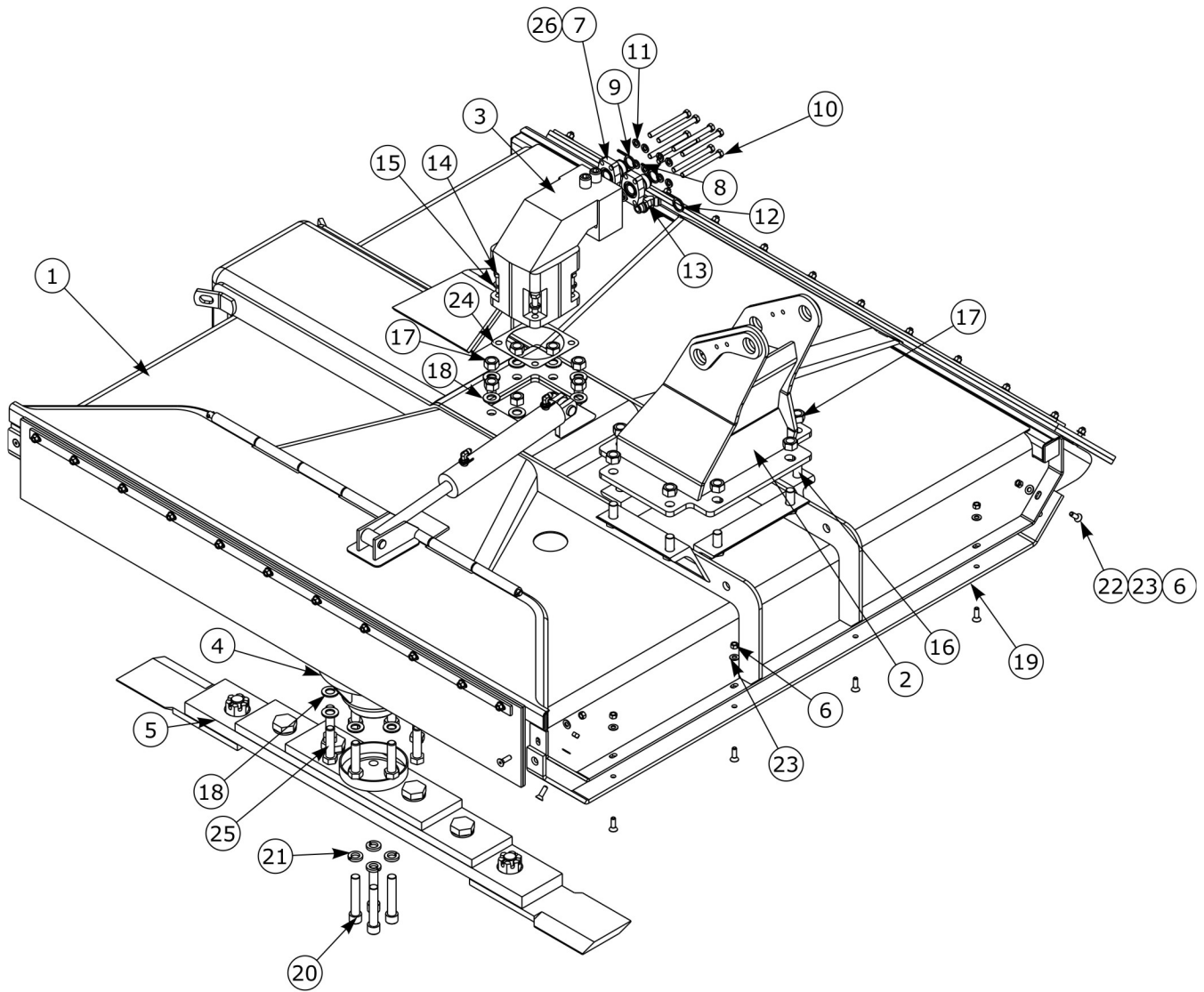


60 IN ROTARY - HEAD ASY (SOLID MNT)

Continued...

ITEM	PART NO.	QTY.	DESCRIPTION
	02986205	1	ASY,60" ROT, PISTON, BAR
1	02971963	1	WELDMENT, DOOR
2	99338S	2	PIN ROLL 1/4 X 3/4
3	02961480A	1	HYD CYLINDER 2BORE X 9-1/4 STROKE
4	02981757	2	WELDMENT, PIN, HITCH POST
5	02971702	2	FLATWASHER, 1-3/8 TYPE B PL NARROW
6	02967782	1	ROD-HINGE
7	02971701	2	NUT, SLOTTED 1-3/8 12NF PLB
8	165020	2	PIN, COTTER 5/16 X 2-1/2 PL
9	651102	1	PIN - DRILLED
10	02976448	1	PIN - MACHINED HEAD
11	00755153	2	PIN, COTTER 3/16 X 1-1/2 PL
12	02885700	2	REAR FLAP 10 X 63 X 3/8 THK
13	02885800	1	REAR CLAMP BAR
14	00759862	2	DEBRIS DEFLECTOR
15	00756875	1	FLAP HOLD DOWN BAR
16	00023100	13	HHCS 3/8 X 1-1/2 NC PL GR5
17	00011100	46	FLATWASHER 3/8 STD
18	00015800	39	LOCKNUT TLM 3/8 NC PLC
19	00007000	12	HHCS 3/8 NC 1-3/4 PL5
20	02960018	2	ADP, HYD, ELBOW, 4MB-4MJ90
21	02968836	1	PLASTIC TIE, YELLOW
22	02968837	1	PLASTIC TIE, YELLOW & WHITE

60 IN ROTARY - HEAD SUB-ASY (SOLID MNT)

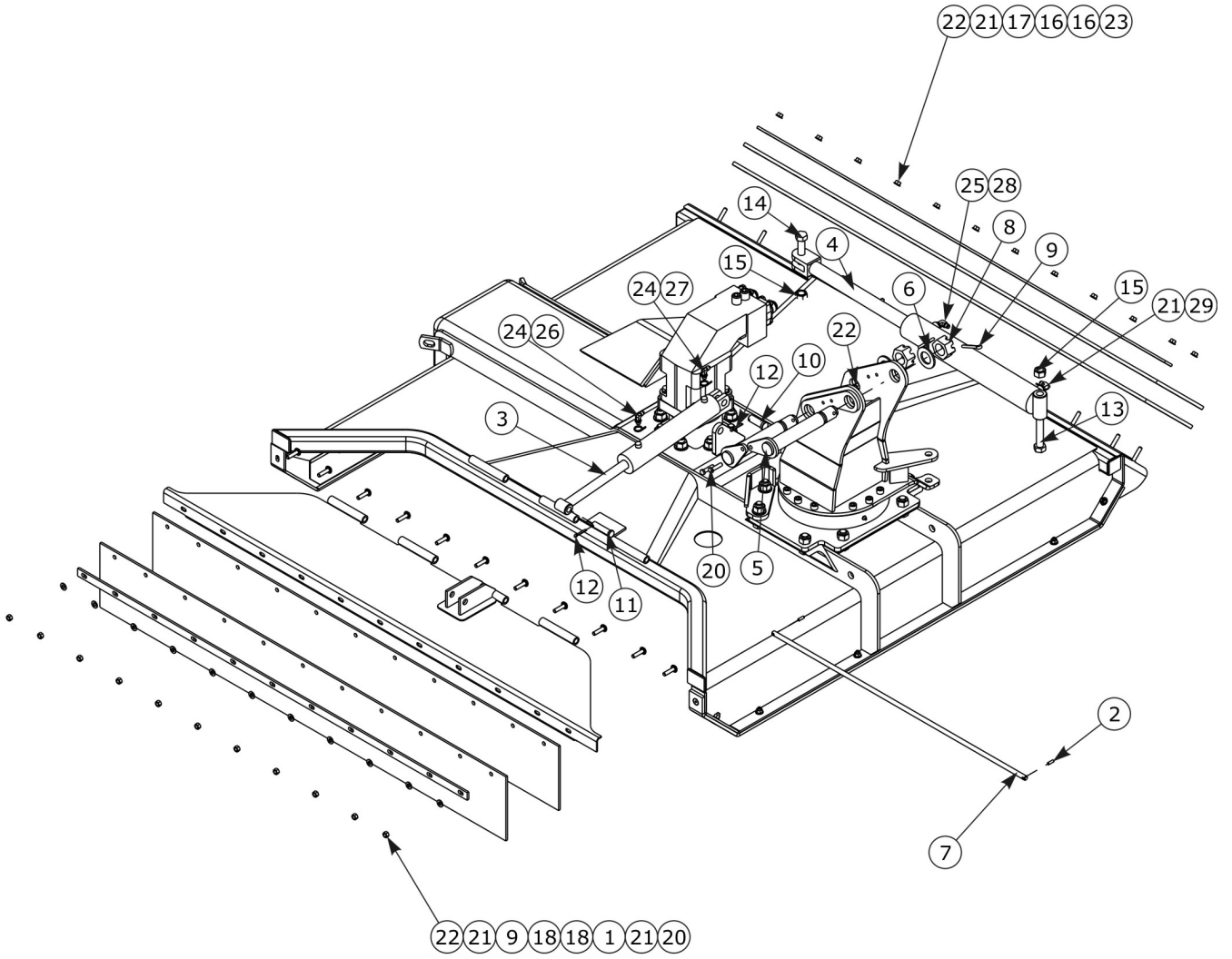


60 IN ROTARY - HEAD SUB-ASY (SOLID MNT)

Continued...

ITEM	PART NO.	QTY.	DESCRIPTION
	02986205	1	ASY,60" ROT, PISTON, BAR
1	02981410	1	WELDMENT,60" ROTARY,SWIVEL
2	02986200	1	WELDMENT, HITCH POST
3	02979881	1	MOTOR PISTON 4.91 CID
4	02968859A	1	ASSEMBLY, SPINDLE HOUSING-SPLINED
5	02969230	1	ASY, BLADE BAR W/BLADES
6	00015800	39	LOCKNUT TLM 3/8 NC PLC
7	02981819	2	ADP HYD STGHT 16FLH-16MJ SPCL
8	02968894	1	PLASTIC TIE, RED, 11LG
9	02968896	1	PLASTIC TIE, ORANGE, 11LG
10	02980236	8	HHCS 7/16 NC X 4 1/2"LG PL5
11	00022200	8	LOCKWASHER 7/16 PL
12	02968895	1	PLASTIC TIE, BLUE, 11LG
13	02972817	1	ADP HYD ELBOW 10MB - 8MJ 45 DEG
14	02891800	4	HHCS 1/2 NC 1-3/4 PL8
15	00019600	4	LOCKWASHER 1/2 HEAVY
16	02892100	8	HHCS 3/4 NC X 1 3/4" LG
17	00037200	16	NUT 3/4 NC LOCKNUT
18	5312316	16	FLATWASHER 3/4 HARDENED
19	02966899	2	SKID SHOE
20	02964861	4	SHCS 3/4 NC 4" LG PL8
21	00003901	4	LOCKWASHER 3/4 HEAVY
22	00059700	14	FSCS 3/8 NC X 1-1/4
23	15B600	14	WASHER 3/8 SAE P
24	02961038	1	GASKET
25	03200269	8	HHCS 3/4 NC 3 PL8
26	02980237	2	O-RING .139 DIA X 1.296 INSIDE

60 IN ROTARY - HEAD ASY (SWIVEL MNT)

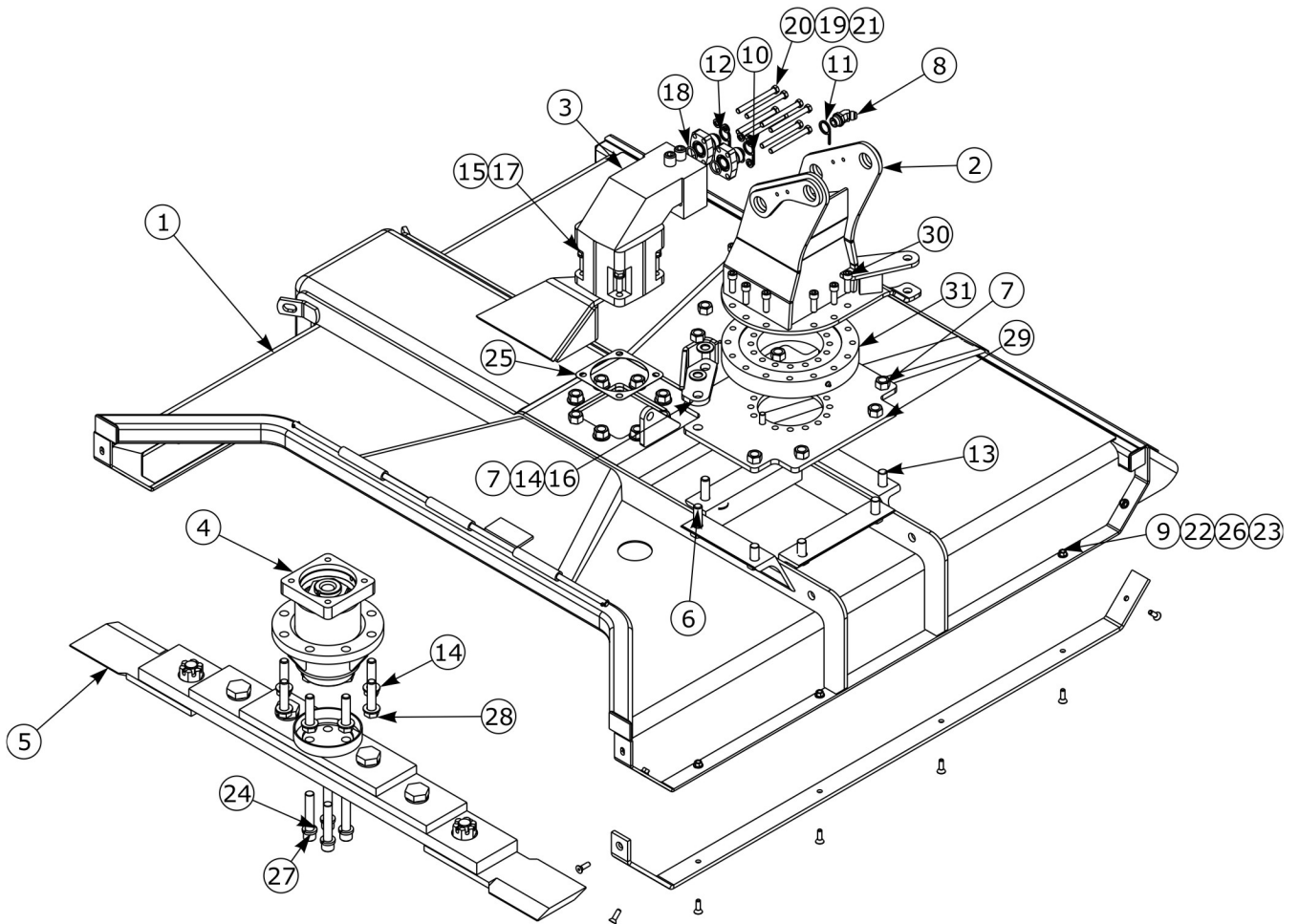


60 IN ROTARY - HEAD ASY (SWIVEL MNT)

Continued...

ITEM	PART NO.	QTY.	DESCRIPTION
	02986191	1	ASY, 60" ROT,PISTON,BAR,SWIVEL
1	02971963	1	WELDMENT, DOOR
2	99338S	2	PIN ROLL 1/4 X 3/4
3	02961480A	1	HYD CYLINDER 2BORE X 9-1/4 STROKE
4	02981315	1	CYLINDER, 2.5B X 1.5R X 14.38S
5	02981757	2	WELDMENT, PIN, HITCH POST
6	02971702	2	FLATWASHER, 1-3/8 TYPE B PL NARROW
7	02967782	1	ROD-HINGE
8	02971701	2	NUT, SLOTTED 1-3/8 12NF PLB
9	165020	2	PIN, COTTER 5/16 X 2-1/2 PL
10	651102	1	PIN-DRILLED
11	02976448	1	PIN - MACHINED HEAD
12	00755153	2	PIN, COTTER 3/16 X 1-1/2 PL
13	03200267	1	HHCS 3/4 NC 5 PL8
14	02963646	3	HHCS 3/4 NC 2-1/2 PL8
15	00037200	18	NUT 3/4 NC LOCKNUT
16	02885700	2	REAR FLAP 10 X 63 X 3/8 THK
17	02885800	1	REAR CLAMP BAR
18	00759862	2	DEBRIS DEFLECTOR
19	00756875	1	FLAP HOLD DOWN BAR
20	00023100	13	HHCS 3/8 X 1-1/2 NC PL GR5
21	00011100	46	FLATWASHER 3/8 STD
22	00015800	32	LOCKNUT TLM 3/8 NC PLC
23	00007000	12	HHCS 3/8 NC 1-3/4 PL5
24	02960018	2	ADP, HYD, ELBOW, 4MB-4MJ90
25	03200762	2	ADP, HYD 6MB-4MJ 90
26	02968836	1	PLASTIC TIE, YELLOW
27	02968837	1	PLASTIC TIE, YELLOW & WHITE
28	02968832	1	PLASTIC TIE, GREEN
29	02968833	1	PLASTIC TIE, GREEN & WHITE

60 IN ROTARY - HEAD SUB-ASY (SWIVEL MNT)

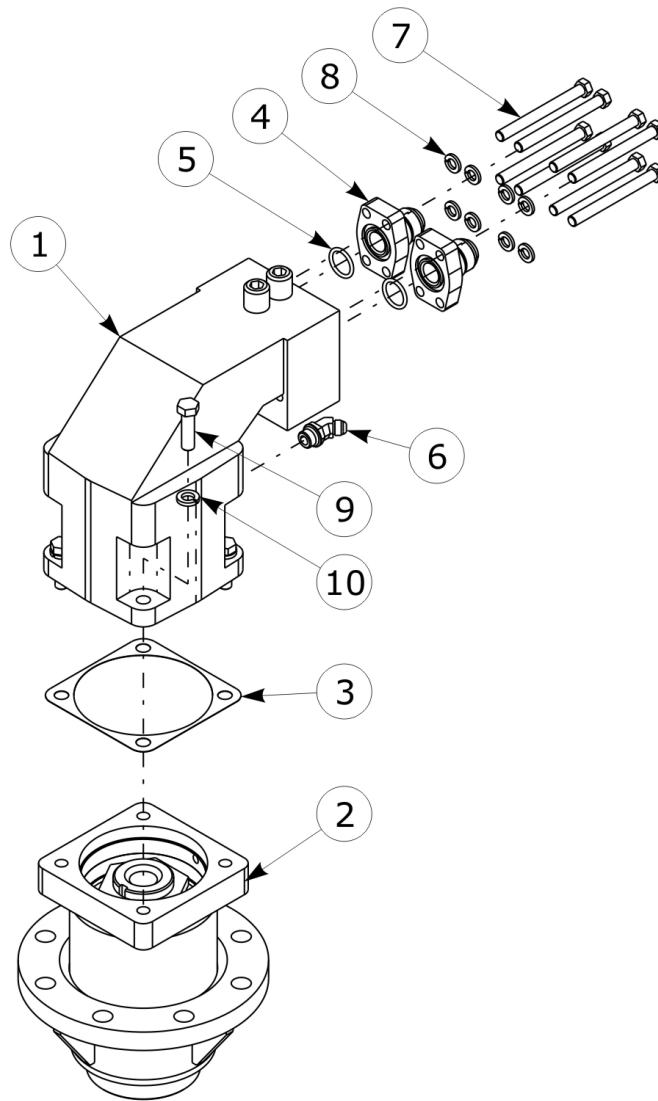


60 IN ROTARY - HEAD SUB-ASY (SWIVEL MNT)

Continued...

ITEM	PART NO.	QTY.	DESCRIPTION
	02986191	1	ASY, 60" ROT,PISTON,BAR,SWIVEL
1	02981410	1	WELDMNT,60" ROTARY,SWIVEL
2	02985319	1	WELDMNT, HITCH POST
3	02979881	1	MOTOR PISTON 4.91 CID
4	02968859A	1	ASSEMBLY, SPINDLE HOUSING-SPLINED
5	02969230	1	ASY, BLADE BAR W/BLADES
6	02963646	3	HHCS 3/4 NC 2-1/2 PL8
7	00037200	18	NUT 3/4 NC LOCKNUT
8	02972817	1	ADP HYD ELBOW 10MB - 8MJ 45 DEG
9	00015800	32	LOCKNUT TLM 3/8 NC PLC
10	02968894	1	PLASTIC TIE, RED, 11LG
11	02968895	1	PLASTIC TIE, BLUE, 11LG
12	02968896	1	PLASTIC TIE, ORANGE, 11LG
13	02892100	6	HHCS 3/4 NC X 1 3/4" LG
14	5312316	18	FLATWASHER 3/4 HARDENED
15	00019600	4	LOCKWASHER 1/2 HEAVY
16	02984002	1	WLDMNT, STOP, SWIVEL
17	02891800	4	HHCS 1/2 NC 1-3/4 PL8
18	02980237	2	O-RING .139 DIA X 1.296 INSIDE
19	00022200	8	LOCKWASHER 7/16 PL
20	02980236	8	HHCS 7/16 NC X 4 1/2"LG PL5
21	02981819	2	ADP HYD STGHT 16FLH-16MJ SPCL
22	15B600	7	WASHER 3/8 SAE P
23	00059700	7	FSCS 3/8 NC X 1-1/4
24	00003901	4	LOCKWASHER 3/4 HEAVY
25	02961038	1	GASKET
26	02966899	1	SKID SHOE
27	02964861	4	SHCS 3/4 NC 4" LG PL8
28	03200269	8	HHCS 3/4 NC 3 PL8
29	02981752	1	PLATE, HITCH POST BOTTOM, MAVERICK
30	02981820	13	SHCS 1/2 NC X 1 1/2" LG PL8
31	02981318	1	BEARING, 12OD X 5.8ID

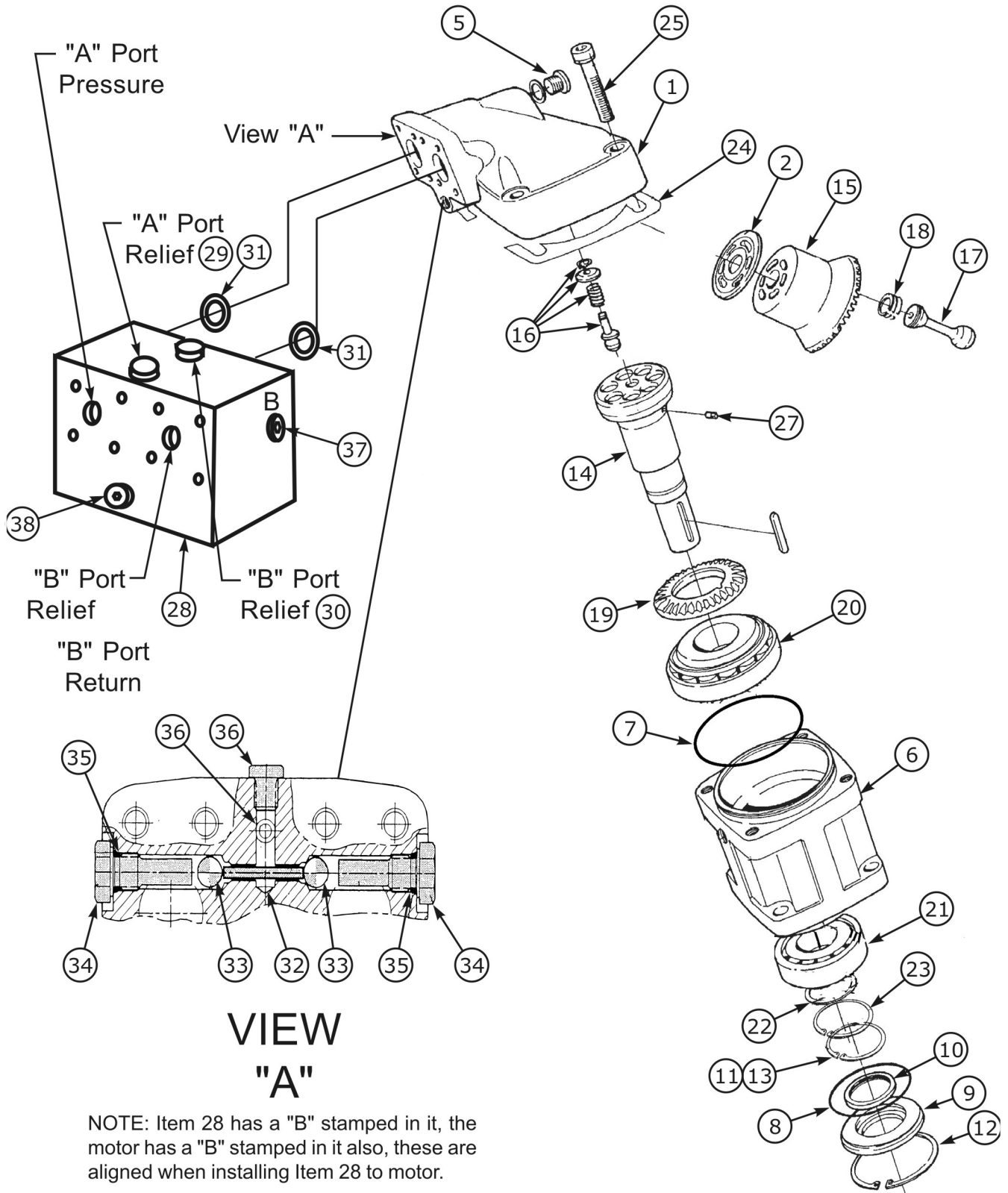
ROTARY - MOTOR AND SPINDLE ASY



ITEM	PART NO.	QTY.	DESCRIPTION
1	02979881	1	MOTOR ASY, PISTON TYPE 4.91 CID
2	02968859A	1	SPINDLE & HOUSING ASY, SPLINED
3	02961038	1	GASKET-SPINDLE/MOTOR
4	02981819	2	ADP HYD STGHT 16FLH-16MJ SPCL
5	02980237	2	O-RING
6	02972817	1	HYD ELBOW, 10MB - 8MJ45
7	02980236	8	BOLT
8	00022200	8	LOCKWASHER, STD 7/16" PL
9	02891800	4	BOLT, HEX HEAD 1/2"-NC X 1-3/4" PL GR8
10	00019600	4	LOCKWASHER, 1/2" HEAVY

THIS PAGE INTENTIONAL LEFT BLANK

ROTARY - MOTOR ASY (PART 1)



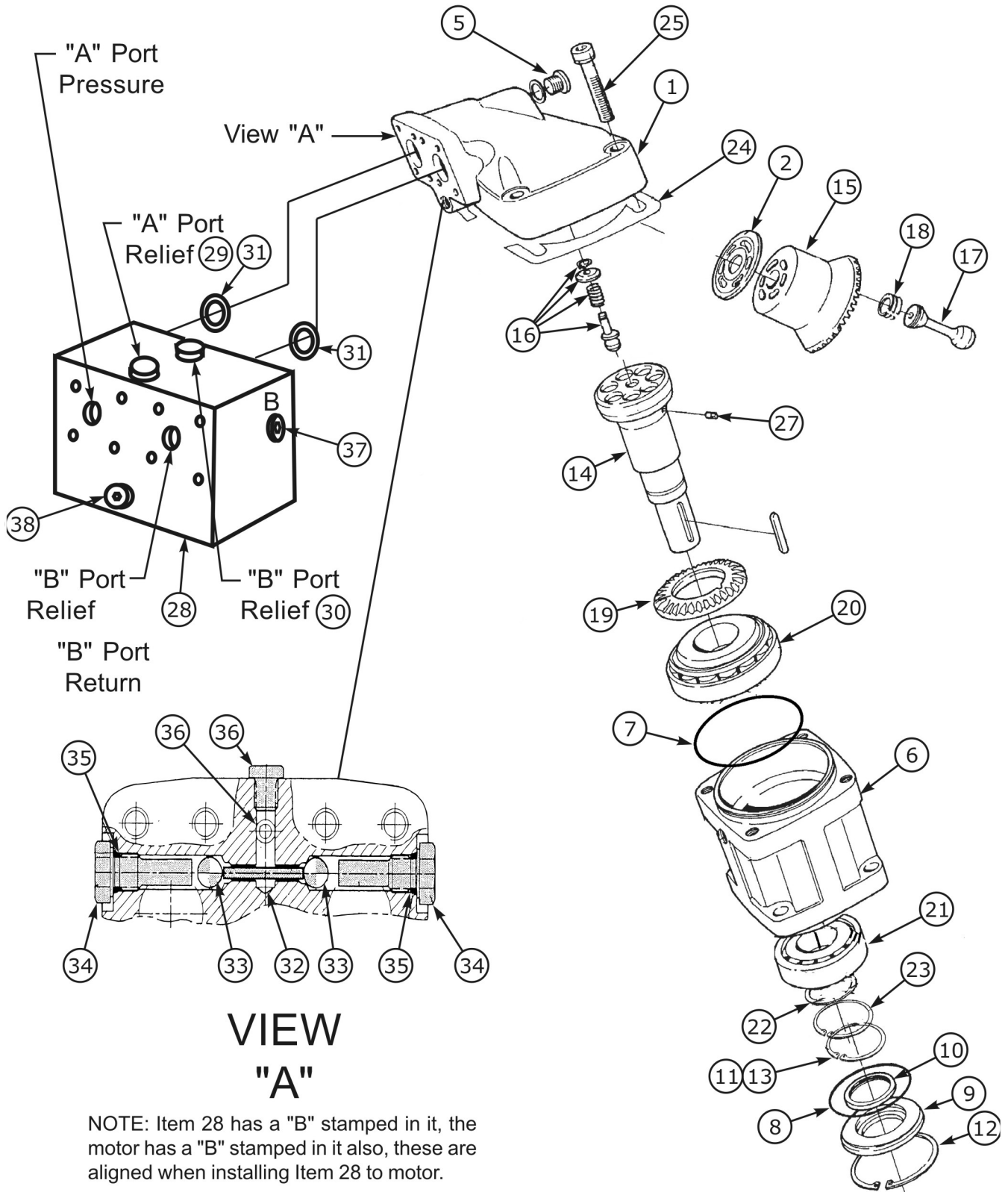
ROTARY - MOTOR ASY (PART 1)

Continued...

ITEM	PART NO.	QTY.	DESCRIPTION
	02979881	1	MOTOR ASY, PISTON TYPE 4.91 CID
1	02980529	1	BARREL HOUSING ASY
2	02980530	1	VALVE PLATE
4	02980536	1	NOZZLE PLUG 2.5MM
5	02980537	1	PLUG ASY, 7/8" HEXAGON
6	02980538	1	BEARING HOUSING
7	02980539	1	O-RING, 132 X 3
8	02980540	1	O-RING, 104.5 X 3
9	02980541	1	SEAL CARRIER
10	02980542	1	SHAFT SEAL
11	02980543	1	SPACER WASHER
12	02980544	1	RETAINING RING
13	02980545	1	RETAINING RING
14	02980546	1	SHAFT ASY, TYPE U
15	02980548	1	CYLINDER BARREL
16	02980549	1	BARREL SUPPORT
17	02980550	7	PISTON ASY
18	02980551	21	PISTON RING
19	02980552	1	RING GEAR
20	02980553	1	TAP ROL BEARING
21	02980554	1	BEARING, TAPERED ROLLER
22	02980555	1	SPACER WASHER
23	02980556	1	RETAINING RING
24	02980557	1	SHIM, 0.5
	02980558	1	SHIM, 0.2
	02980559	1	SHIM, 0.4
	02980560	1	SHIM, 0.6
	02980561	1	SHIM, 0.8
	02980562	1	SHIM, 1.0
	02980563	1	SHIM, 0.7
25	02980564	4	BOLT, SOCKET HEAD M12 X 50 10.9
26	02980565	1	LOCKWASHER, M13 X 19.5
27	02980547	1	GUIDE PIN
28	02980571	1	RELIEF MANIFOLD
	02980570	1	RELIEF VALVE, SEAL KIT
29	02980568	1	RELIEF VALVE, 280 BAR
30	02980569	1	RELIEF VALVE, 330 BAR
31	02980237	2	O-RING
32	02980531	1	KEY, FLAT
33	02980532	2	STEEL BALL
34	02980533	2	PLUG, HEXAGON

Machete 2 HF (11-08)

ROTARY - MOTOR ASY (PART 2)

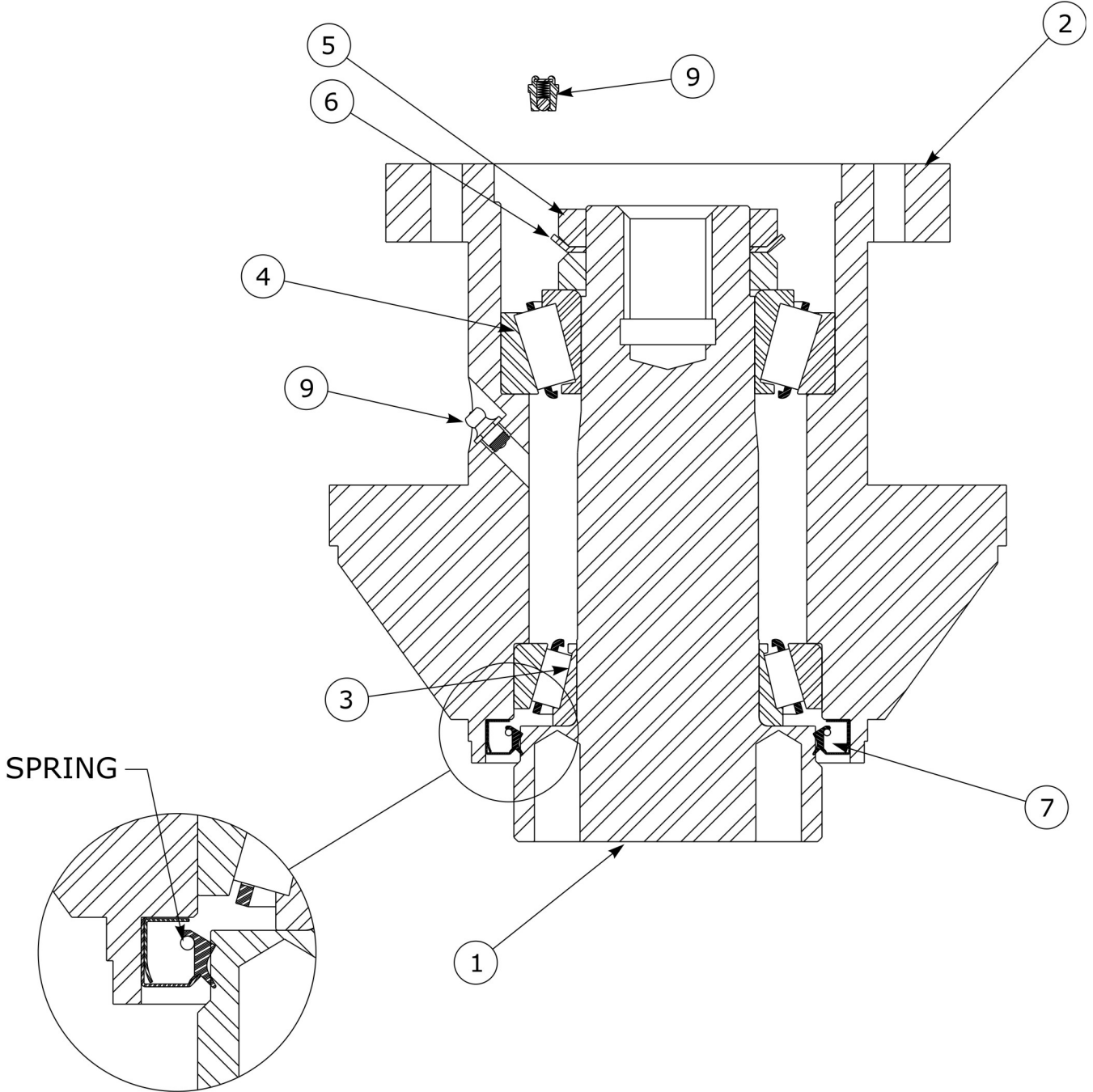


ROTARY - MOTOR ASY (PART 2)

Continued...

ITEM	PART NO.	QTY.	DESCRIPTION
35	02980534	2	O-RING
36	02980535	2	PLUG ASY, HEX SOCKET
37	02980572	2	PLUG ASY
38	02980573	1	PLUG ASY
39	02980566	1	REBUILD KIT
40	02980567	1	SEAL KIT, FOR 02979881 MTR

ROTARY - SPINDLE ASY

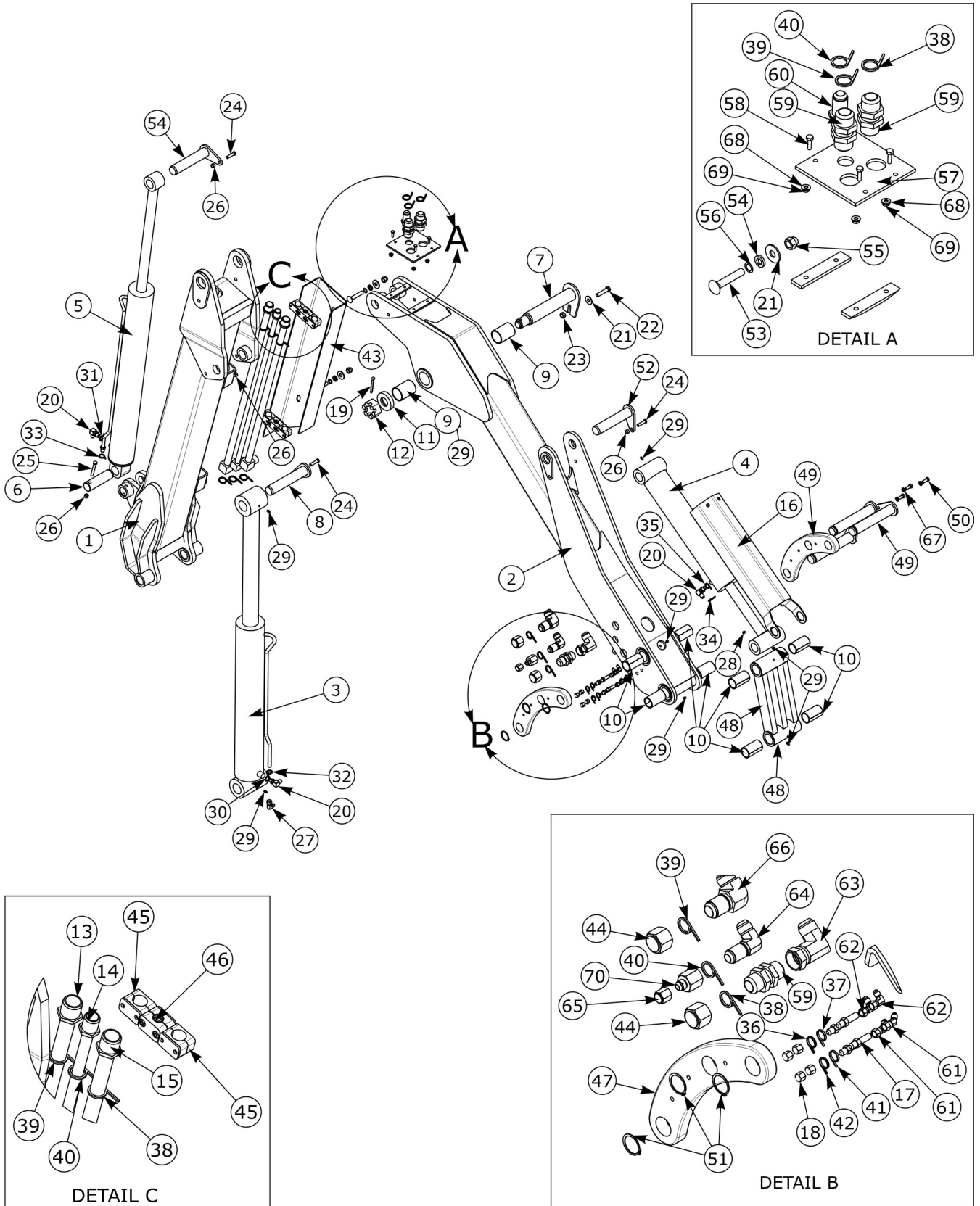


ROTARY - SPINDLE ASY

Continued...

ITEM	PART NO.	QTY.	DESCRIPTION
	02968859	1	SPINDLE ASY
1	02967204	1	SPINDLE SHAFT, SPLINED
2	02967126	1	HOUSING, MACHINED SPINDLE
3	02967197	1	BEARING ASY, CUP & CONE, LOWER
4	02967196	1	BEARING ASY, CUP & CONE, UPPER
5	02909500	2	ADJUSTING NUT, 2.360-18 PITCH
6	02909600	1	TABBED LOCKWASHER, BEARING ADJUSTING NUT LOCK
7	02967198	1	SEAL
8	02959018	1	GREASE RELIEF FITTING, 1-5LBS
9	00003500	1	GREASE FITTING, 1/8" STRAIGHT

BOOM ASY - 18 FT BOOM (PART 1)



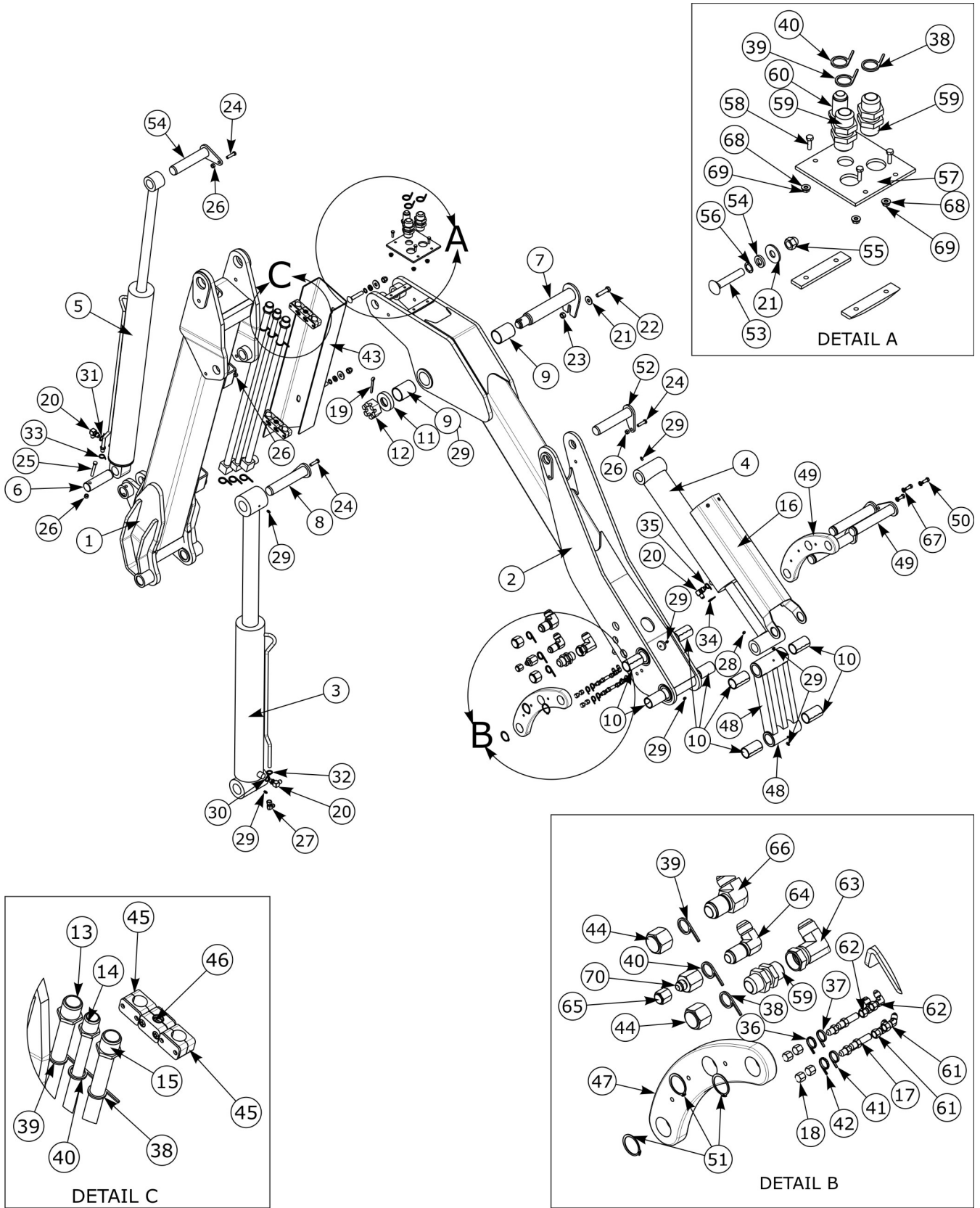
BOOM ASY - 18 FT BOOM (PART 1)

Continued...

ITEM	PART NO.	QTY.	DESCRIPTION
	02986858	1	ASY, 18 BOOM, PISTON
1	02986896	1	WELDMENT, 18' LIFT
2	02983707	1	WELDMENT, DIPPER, 18'
3	02981279	1	CYLINDER, 4.0B X 2.25R X 24.63S
4	02984944	1	CYLINDER, 3.5B X 1.5R X 16.0S
5	02983320	1	CYL, 3.5B X 1.5R X 30.0S
6	02971751	1	PIN, 1-1/2 X 5-3/16 & 13/32 HOLE
7	02981294	1	WELDMENT, PIN, LIFT/ DIPPER
8	02982981	1	WELDMENT, CYLINDER PIN LONG, NEW BOOM
9	02981420	2	CONNEX BUSHING, 2 1/4 X 2 X 3
10	02981424	8	CONNEX BUSHING, 1 3/4 X 1 1/2 X 3
11	02981273	1	SPACER, PIN, DIPPER, MAVERICK
12	02981702	1	SLOTTED NUT, 1-1/2 NF
13	02984819	1	HYDRAULIC TUBE, #16
14	02984818	1	HYDRAULIC TUBE, #12
15	02984817	1	HYDRAULIC TUBE, #16
16	02985273	1	ASSEMBLY, TILT CYLINDER COVER
17	02965448	4	ADP, HYD 4MJ -4MJ BULKHEAD
18	02919600	4	CAP, HYD 4FJ
19	165020	1	PIN, COTTER 5/16 X 2-1/2 PL
20	63149100	3	ADP, HYD ELBOW 6MB-6MJ 90
21	00002700	3	FLATWASHER, 1/2 PL STD
22	02975436	1	HHCS 1/2 NC X 2 1/4 PL8
23	00001800	1	LOCKNUT TLM 1/2 NC PLB
24	00023100	3	HHCS 3/8 X 1-1/2 NC PL GR5
25	02970595	1	HHCS 3/8 NC 2-3/4 PL8
26	00015800	4	LOCKNUT TLM 3/8 NC PLC
27	001921	1	ADAPTER 6MJ - 6FJX 90
28	000941	1	GREASE ZERK 1/4-28 90 BOLT THD
29	00752670	8	GREASE FITTING 1/4-28 BOLT THD
30	02968835	1	PLASTIC TIE, ORANGE & WHITE
31	02968831	1	PLASTIC TIE, BLUE & WHITE
32	02968834	1	PLASTIC TIE, ORANGE
33	02968830	1	PLASTIC TIE, BLUE
34	02968829	1	PLASTIC TIE, RED & WHITE
35	02968828	1	PLASTIC TIE, RED
36	02968837	1	PLASTIC TIE, YELLOW & WHITE
37	02968836	1	PLASTIC TIE, YELLOW
38	02968894	4	PLASTIC TIE, RED, 11LG
39	02968896	4	PLASTIC TIE, ORANGE, 11LG
40	02968895	4	PLASTIC TIE, BLUE, 11LG

Machete 2 HF (11-08)

BOOM ASY - 18 FT BOOM (PART 2)

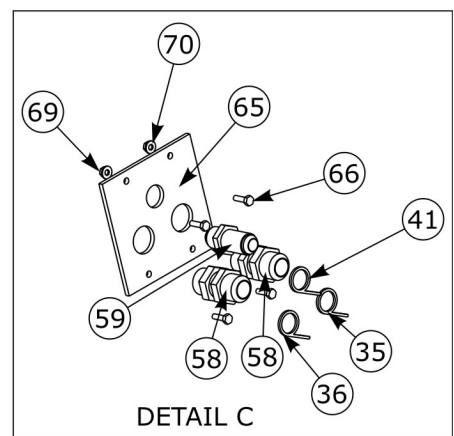
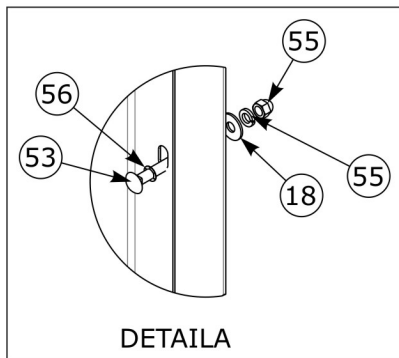
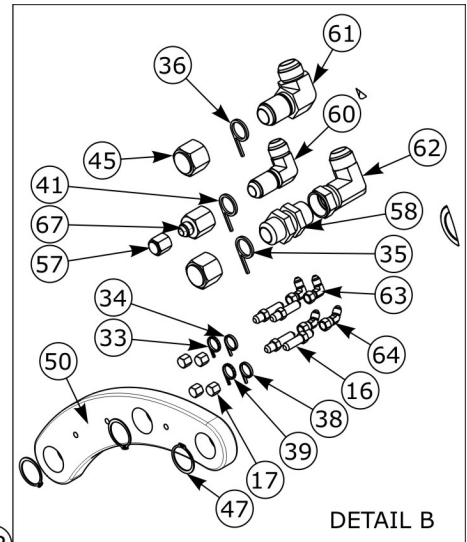
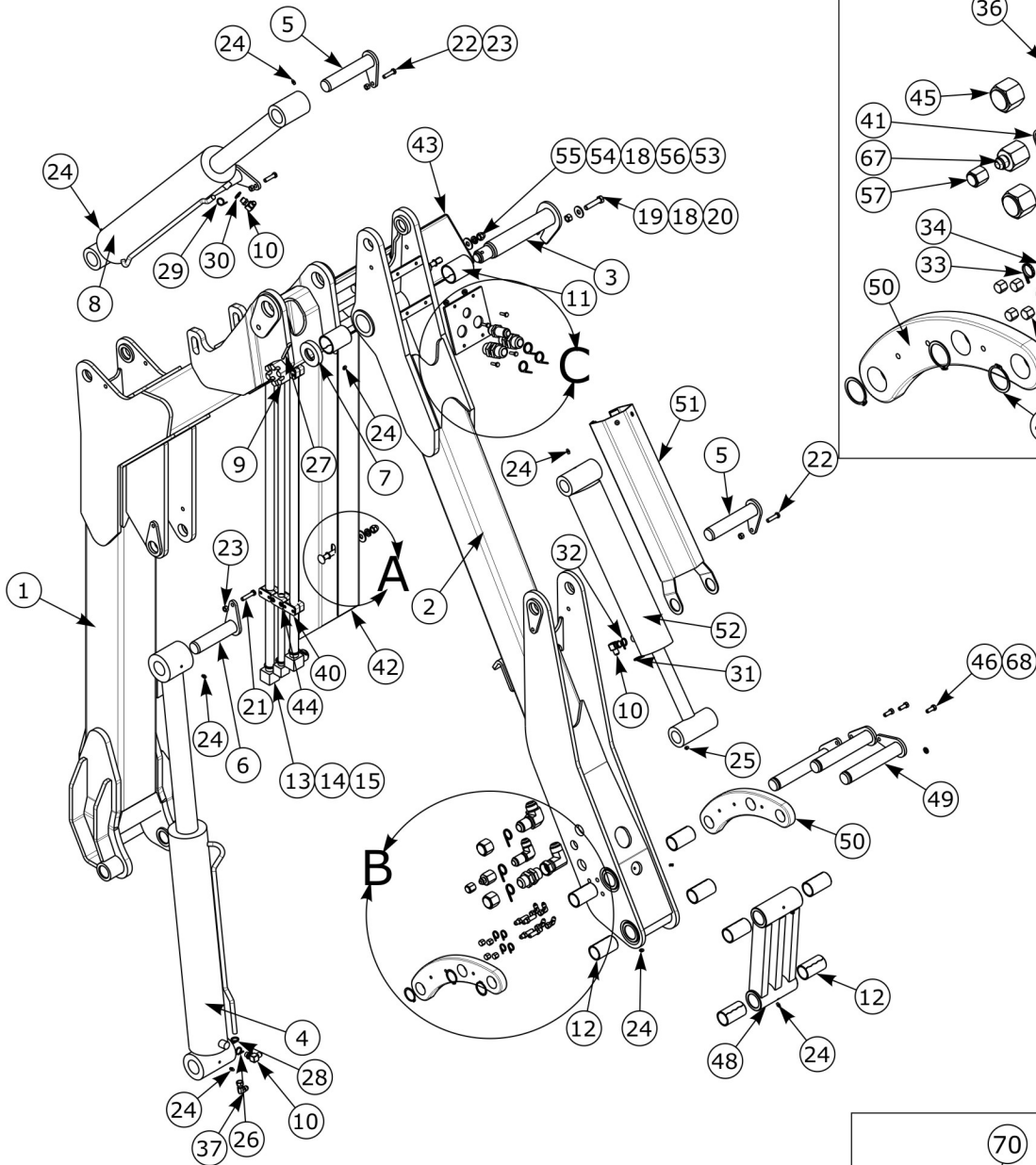


BOOM ASY - 18 FT BOOM (PART 2)

Continued...

ITEM	PART NO.	QTY.	DESCRIPTION
41	02968832	1	PLASTIC TIE, GREEN
42	02968833	1	PLASTIC TIE, GREEN & WHITE
43	02984821	1	COVER, LIFT TUBE COVER
44	02956918	2	CAP, 16 FJ
45	03200375	4	CLAMP, TUBE 1-POSTION
46	02984868	2	CLAMP, TUBE 1-POSTION, 3/4"
47	02985222	2	PLATE, LINKAGE
48	02986074	1	WELDMENT, LINKAGE
49	02985220	3	WELDMENT, PIN, LINKAGE
50	00011400	3	BOLT, HHCS 3/8 NC 1 PL5
51	00769258	3	RETAINING RING,1.5 SHAFT
52	02982979	2	WELDMENT, CYLINDER PIN, NEW BOOM
53	0381000	2	CARB 1/2 - 13 X 2.75
54	00019600	2	LOCKWASHER 1/2 HEAVY
55	02983080	2	NUT, 1/2-13 ACORN
56	63161900	2	SPRING NUT 1/2
57	02985978	1	PLATE, BULKHEAD
58	000860	4	BOLT, HHCS 1/4" X 7/8" LG
59	00751846	3	ADP HYD STGHT 16MJ - 16MJ BULKHEAD
60	02985976	1	ADP HYD STGHT 12MJ - 12MJ BULKHEAD
61	02976532	2	ADP, HYD, 4MJ-4FJX 45
62	02962022	2	ADP HYD ELBOW 4MJ-4FJX90
63	02956851	1	ADP HYD ELBOW 16 MJ-16 JX 90
64	02981197	1	ADAPTER 12MJ - 12MJ 90 BULKHEAD
65	02972910	1	CAP, #8 FJ
66	02742500	1	ADAPTER 16MJ - 16MJ 90 BULKHEAD
67	03101646	3	LOCKWASHER 3/8
68	00024100	4	FLATWASHER STD 1/4 PL
69	00024000	4	NUT HEX 1/4" NC PL
70	02970609	1	ADP 12FJ - 8MJ

BOOM ASY - 22 FT BOOM (PART 1)

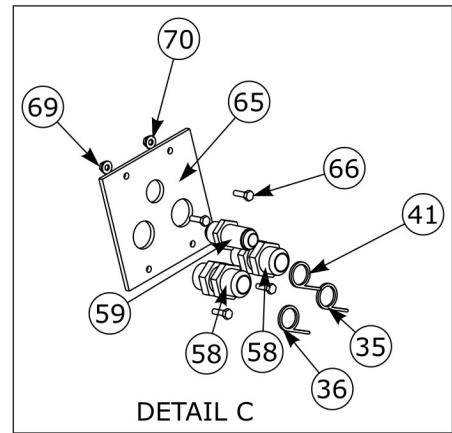
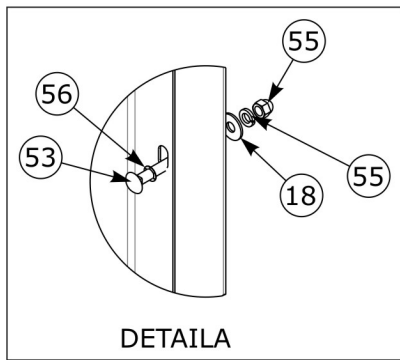
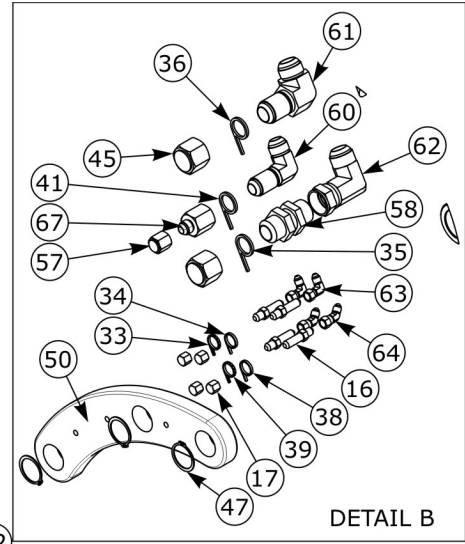
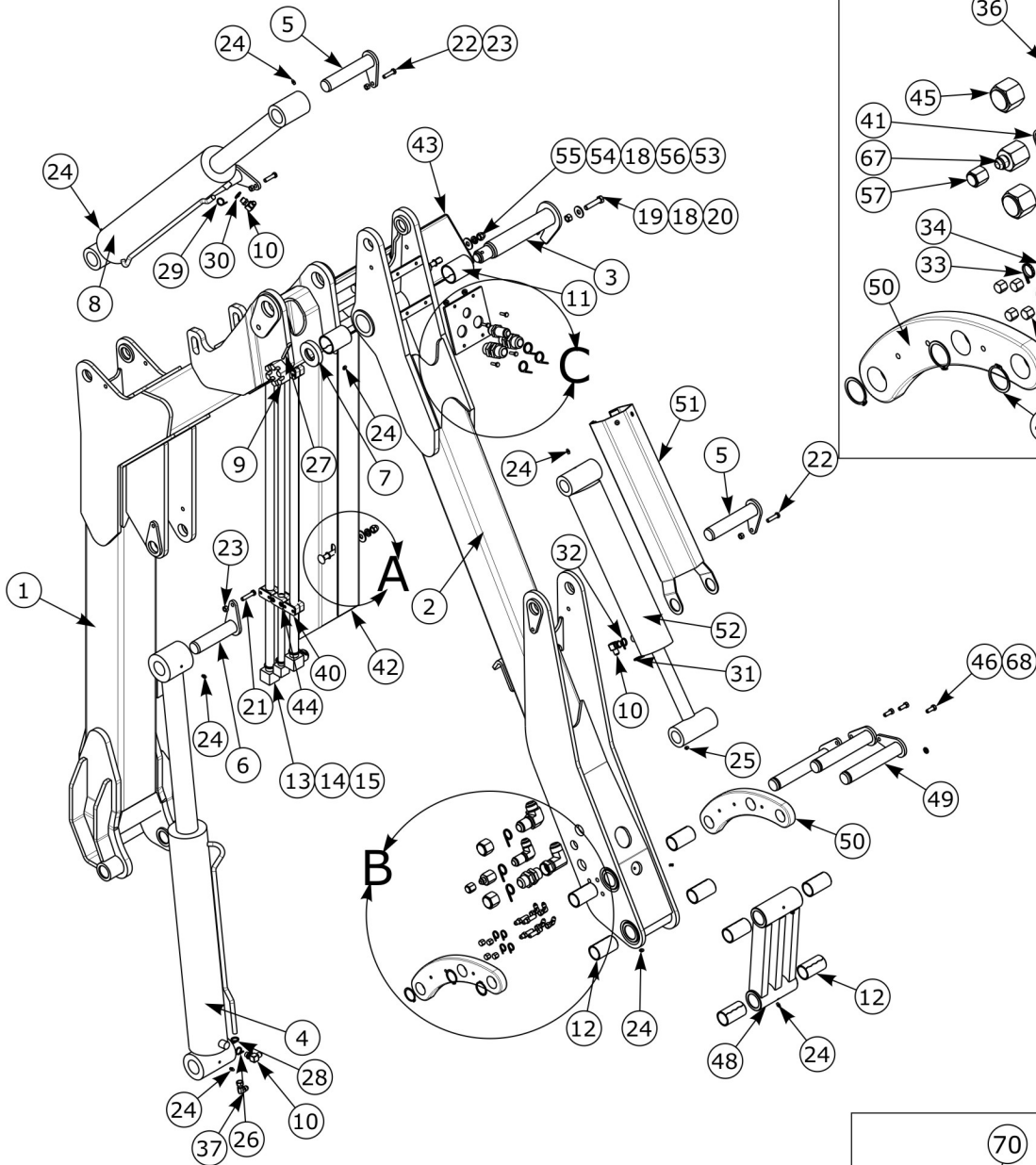


BOOM ASY - 22 FT BOOM (PART 1)

Continued...

ITEM	PART NO.	QTY.	DESCRIPTION
	02986859	1	ASY, 22 BOOM, PISTON
1	02986897	1	WELDMENT,LIFT SECTION 22' BOOM
2	02985124	1	WELDMENT, 22' DIPPER
3	02981294	1	WELDMENT, PIN, LIFT/ DIPPER
4	02981279	1	CYLINDER, 4.0B X 2.25R X 24.63S
5	02982979	3	WELDMENT, CYLINDER PIN, NEW BOOM
6	02982980	1	WELDMENT, CYLINDER PIN SHORT, NEW BOOM
7	02981273	1	SPACER, PIN, DIPPER, MAVERICK
8	02981277	1	CYLINDER, 4.0B X 2.25R X 21.5S
9	02981702	1	SLOTTED NUT, 1-1/2 NF
10	63149100	3	ADP, HYD ELBOW 6MB-6MJ 90
11	02981420	2	CONNEX BUSHING, 2 1/4 X 2 X 3
12	02981424	8	CONNEX BUSHING, 1 3/4 X 1 1/2 X 3
13	02984853	1	HYDRAULIC TUBE, #16
14	02984854	1	HYDRAULIC TUBE, #12
15	02984855	1	HYDRAULIC TUBE, #16
16	02965448	4	ADP, HYD 4MJ -4MJ BULKHEAD
17	02919600	4	CAP, HYD 4FJ
18	00002700	5	FLATWASHER, 1/2 PL STD
19	02975436	1	HHCS 1/2 NC X 2 1/4 PL8
20	00001800	1	LOCKNUT TLM 1/2 NC PLB
21	02957042	1	HHCS 3/8NC 1-3/4 PL GR8
22	00023100	3	HHCS 3/8 X 1-1/2 NC PL GR5
23	00015800	4	LOCKNUT TLM 3/8 NC PLC
24	00752670	10	GREASE FITTING 1/4-28 BOLT THD
25	000941	1	GREASE ZERK 1/4-28 90 BOLT THD
26	02968835	1	PLASTIC TIE, ORANGE & WHITE
27	165020	1	PIN, COTTER 5/16 X 2-1/2 PL
28	02968834	1	PLASTIC TIE, ORANGE
29	02968831	1	PLASTIC TIE, BLUE & WHITE
30	02968830	1	PLASTIC TIE, BLUE
31	02968829	1	PLASTIC TIE, RED & WHITE
32	02968828	1	PLASTIC TIE, RED
33	02968837	1	PLASTIC TIE, YELLOW & WHITE
34	02968836	1	PLASTIC TIE, YELLOW
35	02968894	4	PLASTIC TIE, RED, 11LG
36	02968896	4	PLASTIC TIE, ORANGE, 11LG
37	001921	1	ADAPTER 6MJ - 6FJX 90
38	02968832	1	PLASTIC TIE, GREEN
39	02968833	1	PLASTIC TIE, GREEN & WHITE
40	03200375	8	CLAMP, TUBE 1-POSTION

BOOM ASY - 22 FT BOOM (PART 2)

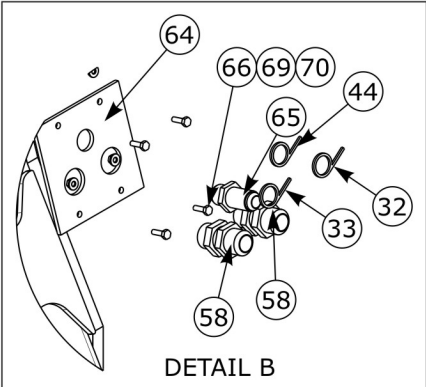
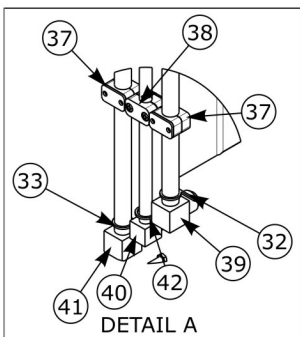
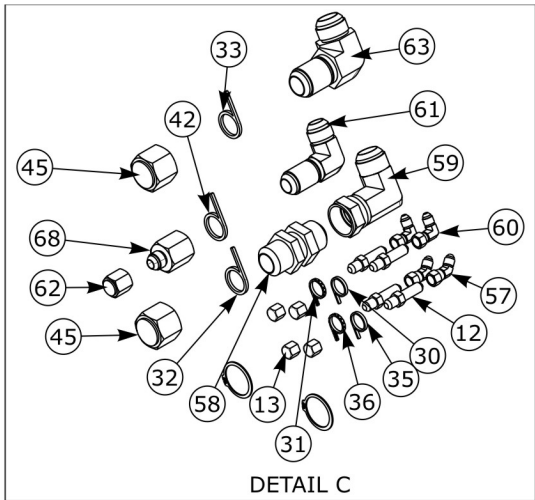
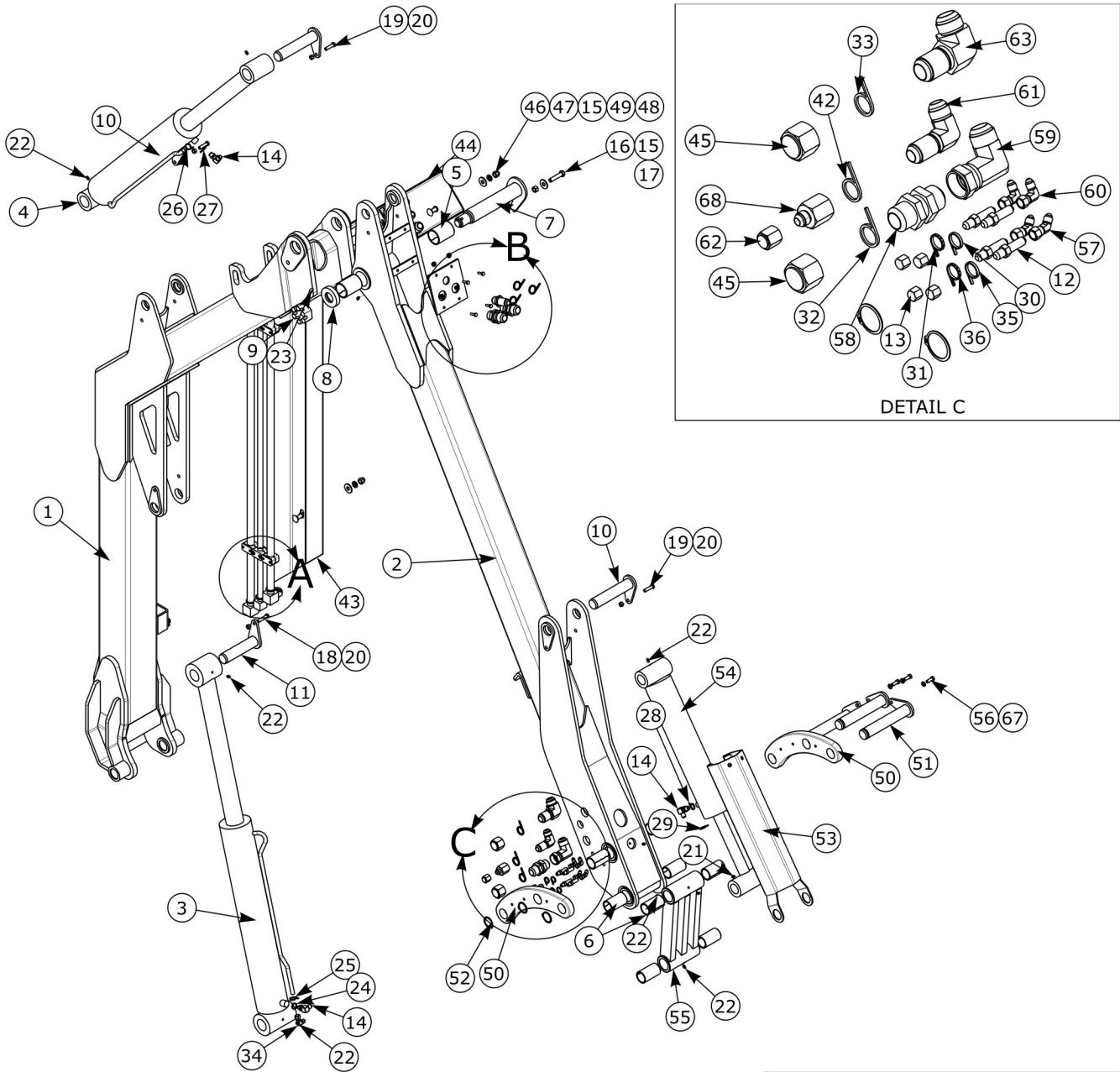


BOOM ASY - 22 FT BOOM (PART 2)

Continued...

ITEM	PART NO.	QTY.	DESCRIPTION
41	02968895	4	PLASTIC TIE, BLUE, 11LG
42	02984856	1	COVER, LIFT TUBE COVER
43	02984857	1	COVER, LIFT TUBE COVER
44	02984868	4	CLAMP, TUBE 1-POSTION, 3/4"
45	02956918	2	CAP, 16 FJ
46	00011400	3	BOLT, HHCS 3/8 NC 1 PL5
47	00769258	3	RETAINING RING,1.5 SHAFT
48	02986074	1	WELDMENT, LINKAGE
49	02985220	3	WELDMENT, PIN, LINKAGE
50	02985222	2	PLATE, LINKAGE
51	02985273	1	ASSEMBLY, TILT CYLINDER COVER
52	02984944	1	CYLINDER, 3.5B X 1.5R X 16.0S
53	0381000	4	CARB 1/2 - 13 X 2.75
54	00019600	4	LOCKWASHER 1/2 HEAVY
55	02983080	4	NUT, 1/2-13 ACORN
56	63161900	4	SPRING NUT 1/2
57	02972910	1	CAP, #8 FJ
58	00751846	3	ADP HYD STGHT 16MJ - 16MJ BULKHEAD
59	02985976	1	ADP HYD STGHT 12MJ - 12MJ BULKHEAD
60	02981197	1	ADAPTER 12MJ - 12MJ 90 BULKHEAD
61	02742500	1	ADAPTER 16MJ - 16MJ 90 BULKHEAD
62	02956851	1	ADP HYD ELBOW 16 MJ-16 JX 90
63	02962022	2	ADP HYD ELBOW 4MJ-4FJX90
64	02976532	2	ADP, HYD, 4MJ-4FJX 45
65	02985978	1	PLATE, BULKHEAD
66	000860	4	BOLT, HHCS 1/4" X 7/8" LG
67	02970609	1	ADP 12FJ - 8MJ
68	03101646	3	LOCKWASHER 3/8
69	00024000	4	NUT HEX 1/4" NC PL
70	00024100	4	FLATWASHER STD 1/4 PL

BOOM ASY - 25 FT BOOM (PART 1)



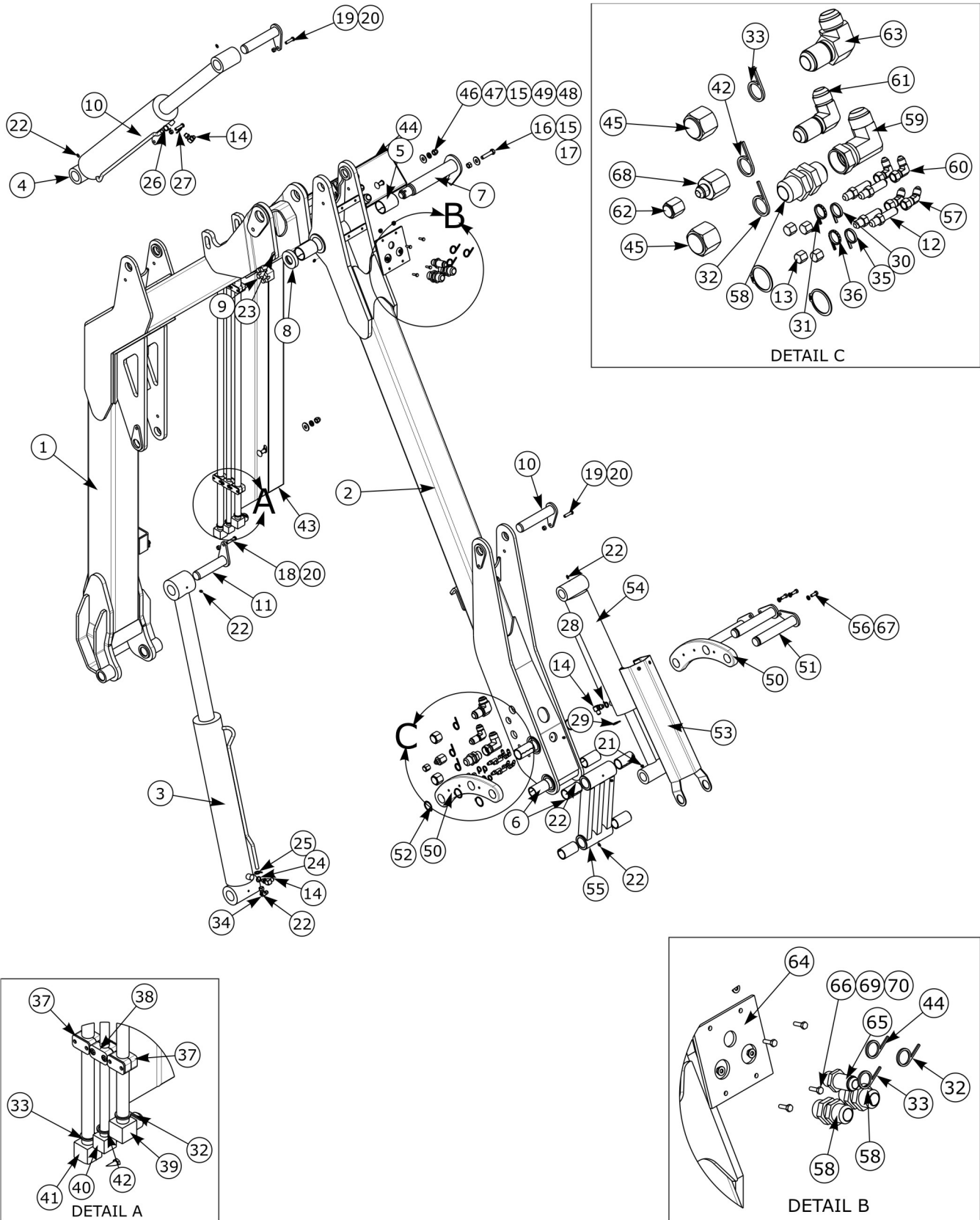
BOOM ASY - 25 FT BOOM (PART 1)

Continued...

ITEM	PART NO.	QTY.	DESCRIPTION
	02986860	1	25 FT BOOM ASY
1	02986898	1	WELDMENT, 25° LIFT
2	02984895	1	WELDMENT, 25° DIPPER
3	02981279	1	CYLINDER, 4.0B X 2.25R X 24.63S
4	02981277	1	CYLINDER, 4.0B X 2.25R X 21.5S
5	02981420	2	CONNEX BUSHING, 2 1/4 X 2 X 3
6	02981424	8	CONNEX BUSHING, 1 3/4 X 1 1/2 X 3
7	02981294	1	WELDMENT, PIN, LIFT/ DIPPER
8	02981273	1	SPACER, PIN, DIPPER, MAVERICK
9	02981702	1	SLOTTED NUT, 1-1/2 NF
10	02982979	3	WELDMENT, CYLINDER PIN, NEW BOOM
11	02982980	1	WELDMENT, CYLINDER PIN SHORT, NEW BOOM
12	02965448	4	ADP, HYD 4MJ -4MJ BULKHEAD
13	02919600	4	CAP, HYD 4FJ
14	63149100	3	ADP, HYD ELBOW 6MB-6MJ 90
15	00002700	5	FLATWASHER, 1/2 PL STD
16	02975436	1	HHCS 1/2 NC X 2 1/4 PL8
17	00001800	1	LOCKNUT TLM 1/2 NC PLB
18	02957042	1	HHCS 3/8NC 1-3/4 PL GR8
19	00023100	3	HHCS 3/8 X 1-1/2 NC PL GR5
20	00015800	4	LOCKNUT TLM 3/8 NC PLC
21	000941	1	GREASE ZERK 1/4-28 90 BOLT THD
22	00752670	10	GREASE FITTING 1/4-28 BOLT THD
23	165020	1	PIN, COTTER 5/16 X 2-1/2 PL
24	02968835	1	PLASTIC TIE, ORANGE & WHITE
25	02968834	1	PLASTIC TIE, ORANGE
26	02968831	1	PLASTIC TIE, BLUE & WHITE
27	02968830	1	PLASTIC TIE, BLUE
28	02968828	1	PLASTIC TIE, RED
29	02968829	1	PLASTIC TIE, RED & WHITE
30	02968836	1	PLASTIC TIE, YELLOW
31	02968837	1	PLASTIC TIE, YELLOW & WHITE
32	02968894	4	PLASTIC TIE, RED, 11LG
33	02968896	4	PLASTIC TIE, ORANGE, 11LG
34	001921	1	ADAPTER 6MJ - 6FJX 90
35	02968832	1	PLASTIC TIE, GREEN
36	02968833	1	PLASTIC TIE, GREEN & WHITE
37	03200375	8	CLAMP, TUBE 1-POSTION
38	02984868	4	CLAMP, TUBE 1-POSTION, 3/4"
39	02984890	1	HYDRAULIC TUBE, #16
40	02984891	1	HYDRAULIC TUBE, #12

Machete 2 HF (11-08)

BOOM ASY - 25 FT BOOM (PART 2)

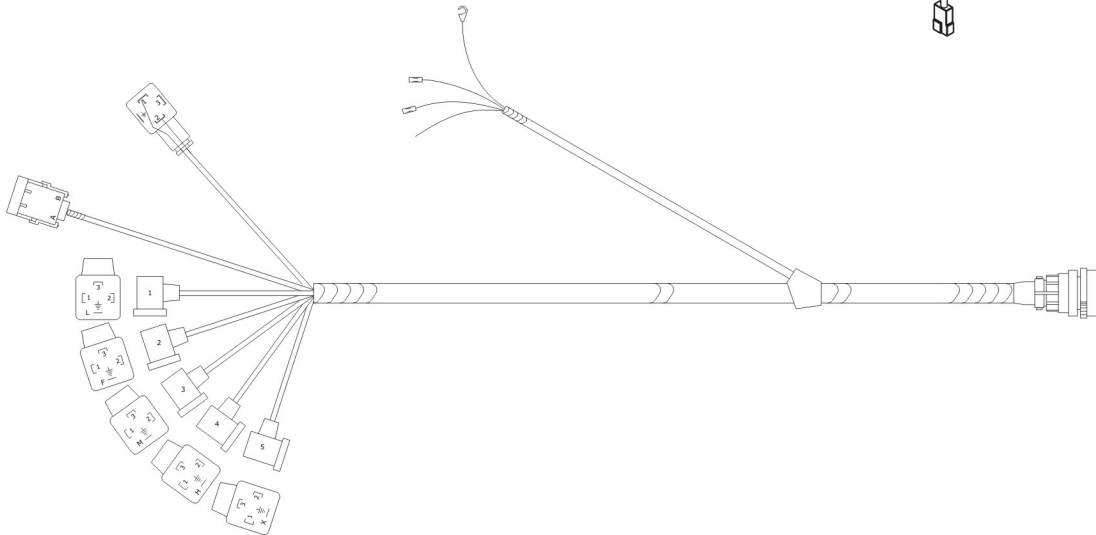
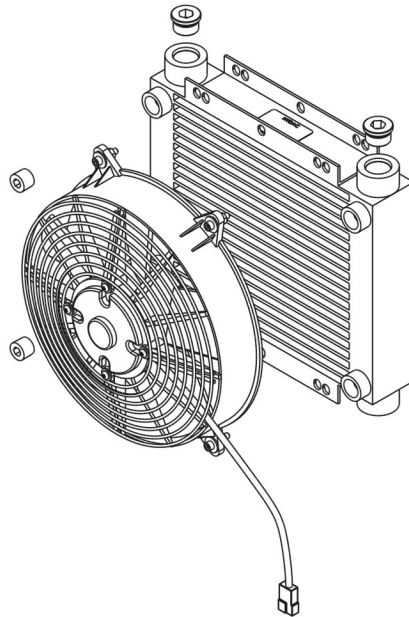
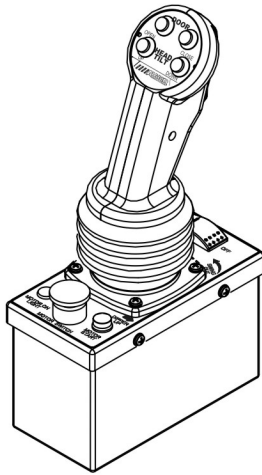
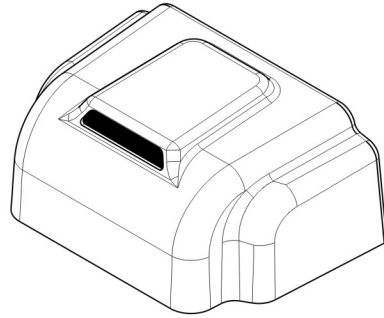
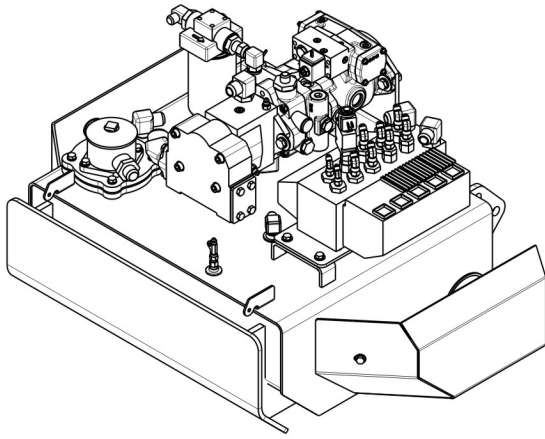


BOOM ASY - 25 FT BOOM (PART 2)

Continued...

ITEM	PART NO.	QTY.	DESCRIPTION
41	02984892	1	HYDRAULIC TUBE, #16
42	02968895	4	PLASTIC TIE, BLUE, 11LG
43	02984893	1	COVER, LIFT TUBE COVER
44	02984894	1	COVER, LIFT TUBE COVER
45	02956918	2	CAP, 16 FJ
46	02983080	4	NUT, 1/2-13 ACORN
47	00019600	4	LOCKWASHER 1/2 HEAVY
48	0381000	4	CARB 1/2 - 13 X 2.75
49	63161900	4	SPRING NUT 1/2
50	02985222	2	PLATE, LINKAGE
51	02985220	3	WELDMENT, PIN, LINKAGE
52	00769258	3	RETAINING RING,1.5 SHAFT
53	02985273	1	ASSEMBLY, TILT CYLINDER COVER
54	02984944	1	CYLINDER, 3.5B X 1.5R X 16.0S
55	02986074	1	WELDMENT, LINKAGE
56	00011400	3	BOLT, HHCS 3/8 NC 1 PL5
57	02976532	2	ADP, HYD, 4MJ-4FJX 45
58	00751846	3	ADP HYD STGHT 16MJ - 16MJ BULKHEAD
59	02956851	1	ADP HYD ELBOW 16 MJ-16 JX 90
60	02962022	2	ADP HYD ELBOW 4MJ-4FJX90
61	02981197	1	ADAPTER 12MJ - 12MJ 90 BULKHEAD
62	02972910	1	CAP, #8 FJ
63	02742500	1	ADAPTER 16MJ - 16MJ 90 BULKHEAD
64	02985978	1	PLATE, BULKHEAD
65	02985976	1	ADP HYD STGHT 12MJ - 12MJ BULKHEAD
66	000860	4	BOLT, HHCS 1/4" X 7/8" LG
67	03101646	3	LOCKWASHER 3/8
68	02970609	1	ADP 12FJ - 8MJ
69	00024100	4	FLATWASHER STD 1/4 PL
70	00024000	4	NUT HEX 1/4" NC PL

COMMON CRATE COMPONENTS

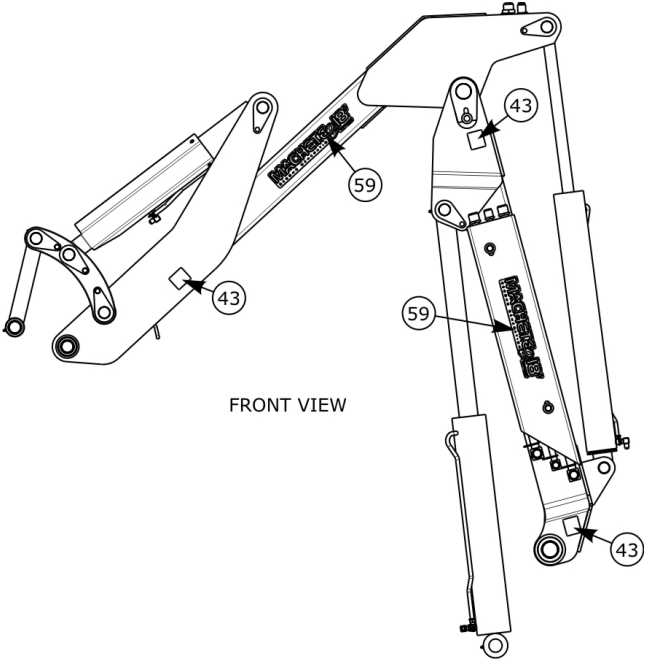
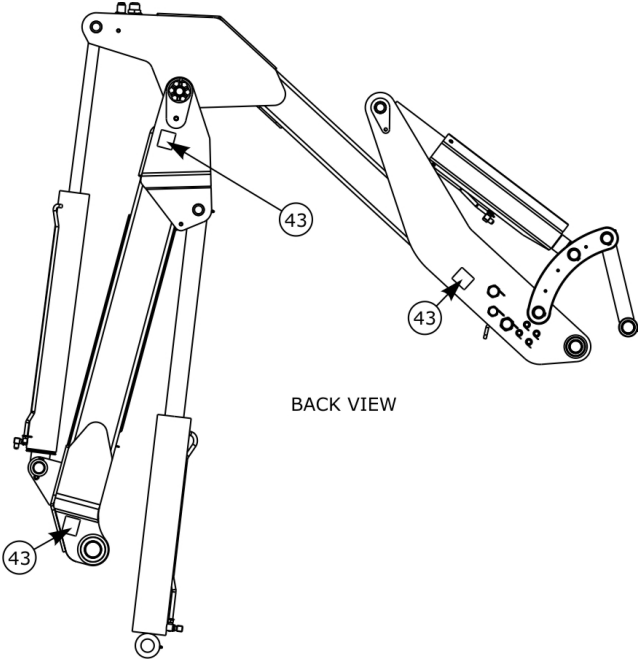


COMMON CRATE COMPONENTS

Continued...

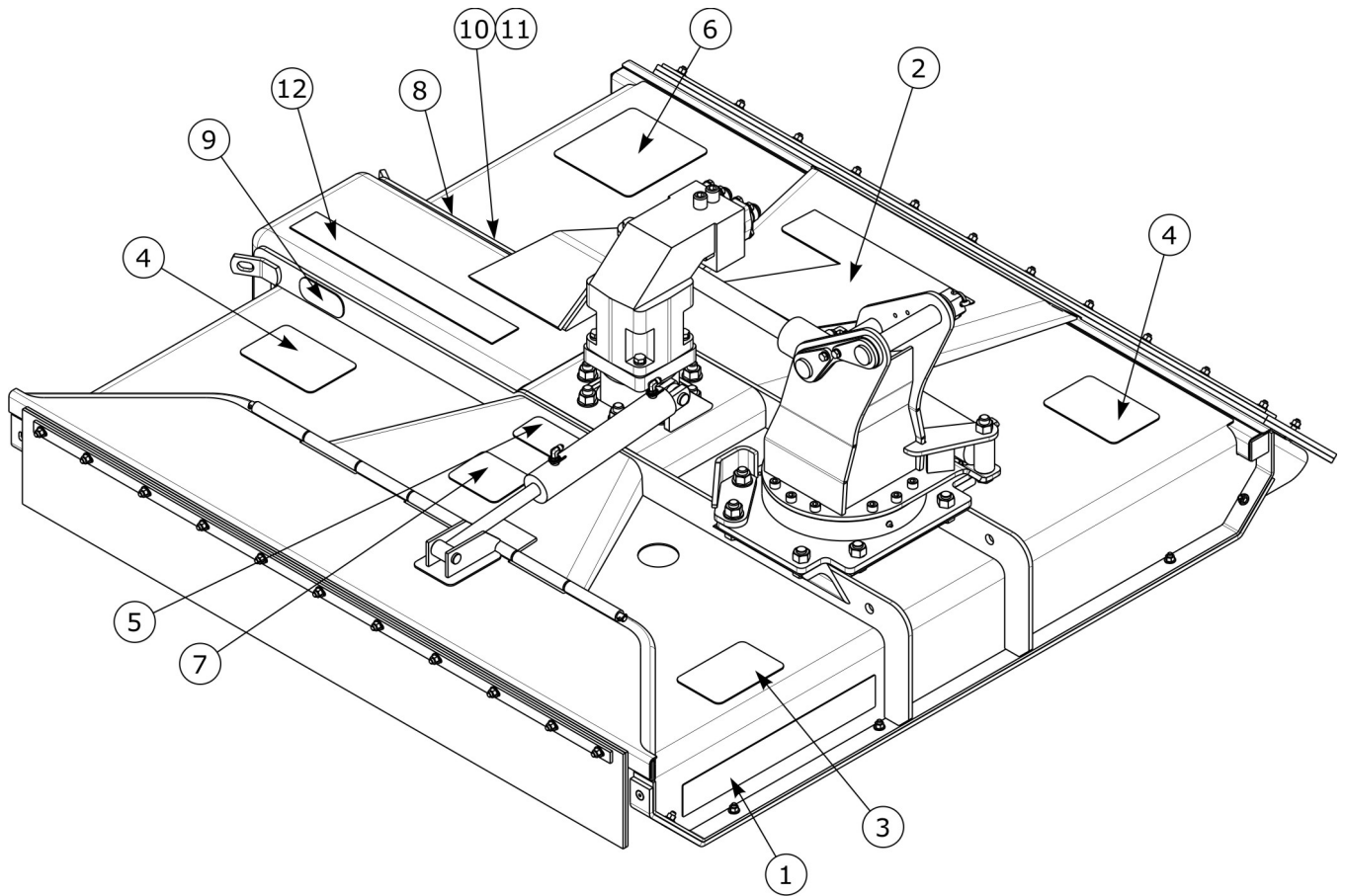
ITEM	PART NO.	QTY.	DESCRIPTION
	02987499	1	PACKET, INST DWGS AND DECALS
	02981441	2	KNOB 3/8NC X 1-1/2 STUD
	02987829	1	ASSEMBLY JOYSTICK CONSOLE
	00776031	1	CANISTER, PARTS MANUAL
	02966874	1	BOOT,CABLE
	02986941A	1	ASSEMBLY OPERATORS & PARTS
	02986941CA	1	ASSEMBLY CANISTER MANUAL
	02987401	1	ASY, COMPLETE, TANK & VALVE
	02986111	1	CABLE, PUMP COVER 36
	02986130	1	CABLE, MANUAL CANISTER, 24
	02970116	2	TUBE,FRAME MOUNTING
	02753400	2	PLASTIC TIE 15 LG UV BLACK
	02975004	1	MOUNT TIE ROD
	02984735	1	ASY, HARNESS, MACHETE
	02966639	6	BAR,MOUNT STRAP
	02981381	1	ASY, PUMP COVER
	02987727	1	BOOM TO FRAME HOSE BUNDLE
	02987705	3	BAR,MOUNT STRAP 4-1/2

DECALS - 18-22-25 FT BOOM



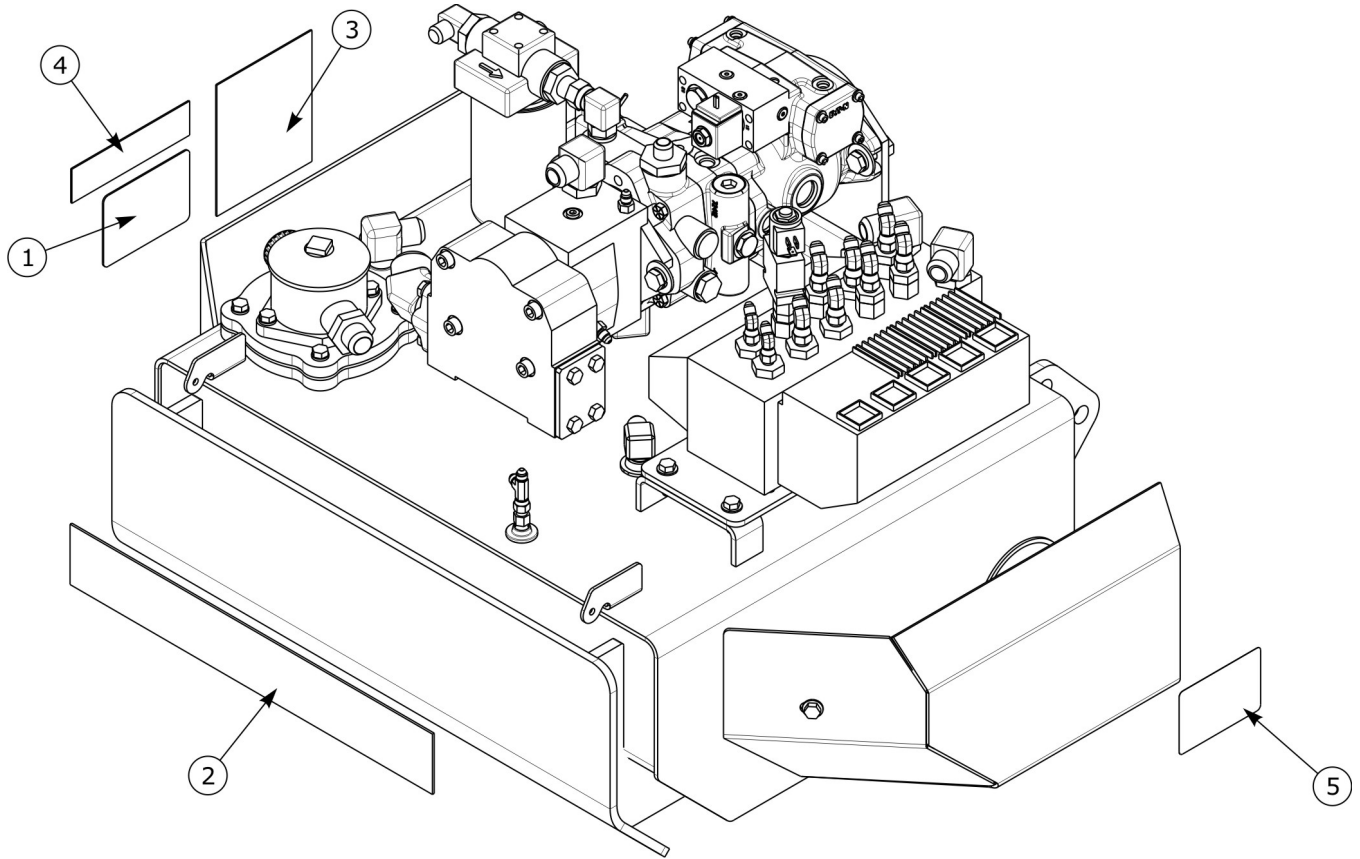
ITEM	PART NO.	QTY.	DESCRIPTION
43	02962764	6	DECAL, PINCH POINT
59	02985831	2	DECAL, MACHETE 2 18'
	02984939	2	DECAL, MACHETE 2 22'
	02984940	2	DECAL, MACHETE 2 25'

DECALS - 50 & 60 IN ROTARY HEAD



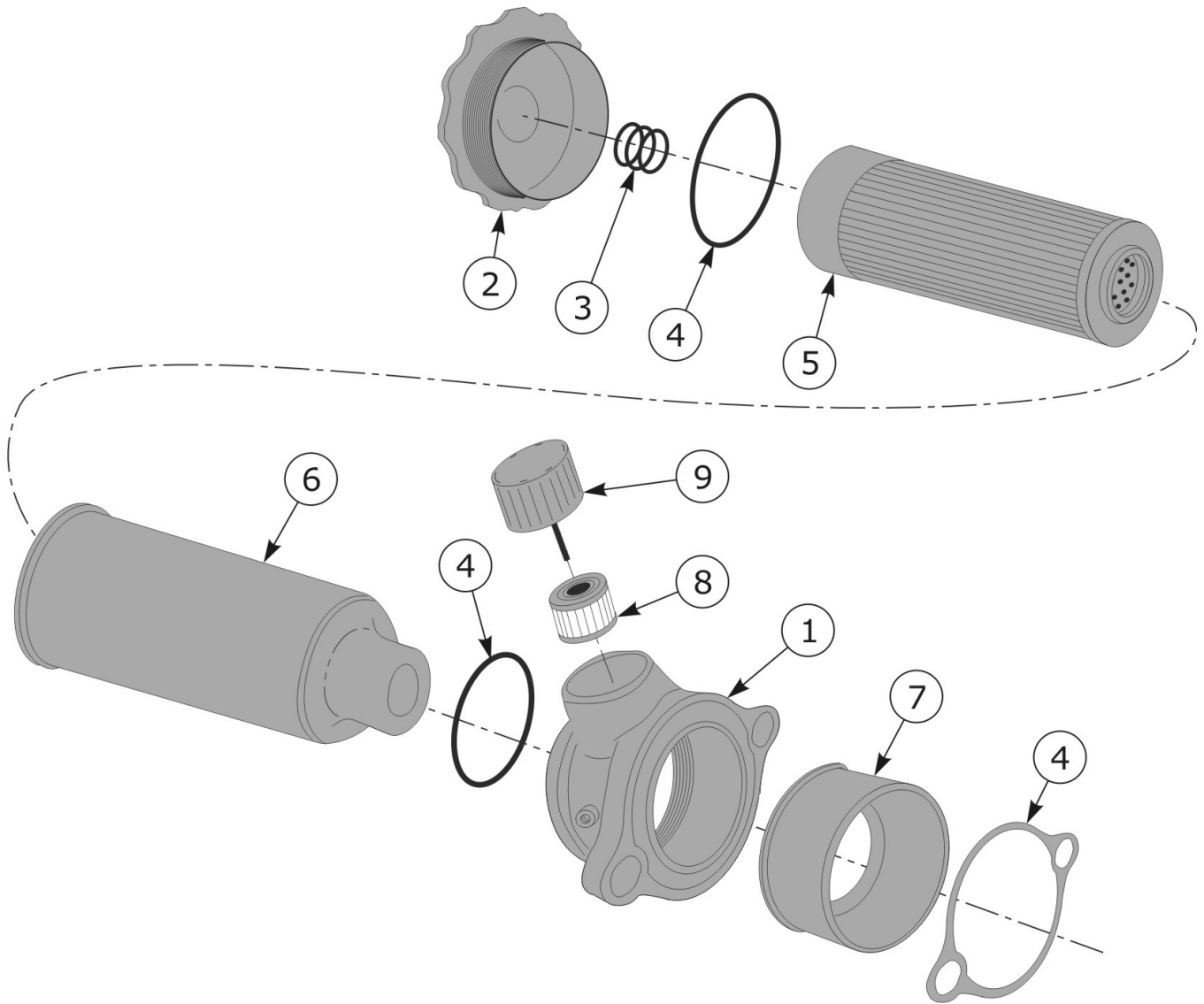
ITEM	PART NO.	QTY.	DESCRIPTION
1	00757139	2	DECAL, LOGO (ALAMO BY T.K.)
2	00757140	1	DECAL, ALAMO INDUSTRIAL LOGO
3	00769736	1	DECAL, USE/REPAIR GUARDS
4	00769737	2	DECAL, BLADES THROWN OBJECTS
5	02925100	1	DECAL, REPLACEMENT PARTS
6	02967827	1	DECAL, MULTI HAZARD
7	02967867	1	DECAL, DANGER SAFETY SHIELD
8	2738332	1	DECAL, RED OBLONG REFLECTOR
9	2738333	1	DECAL, YELLOW OBLONG REFLECTOR
10	02986679	1	PLATE S/N 50", ROTARY, PISTON
	02986112	1	PLATE S/N 60", ROTARY, PISTON
11	3710151	4	METAL TACK
12	02982927	1	DECAL, 50 ROTARY
	02970889	1	DECAL, 60 ROTARY

DECALS - HYD TANK AND PUMP



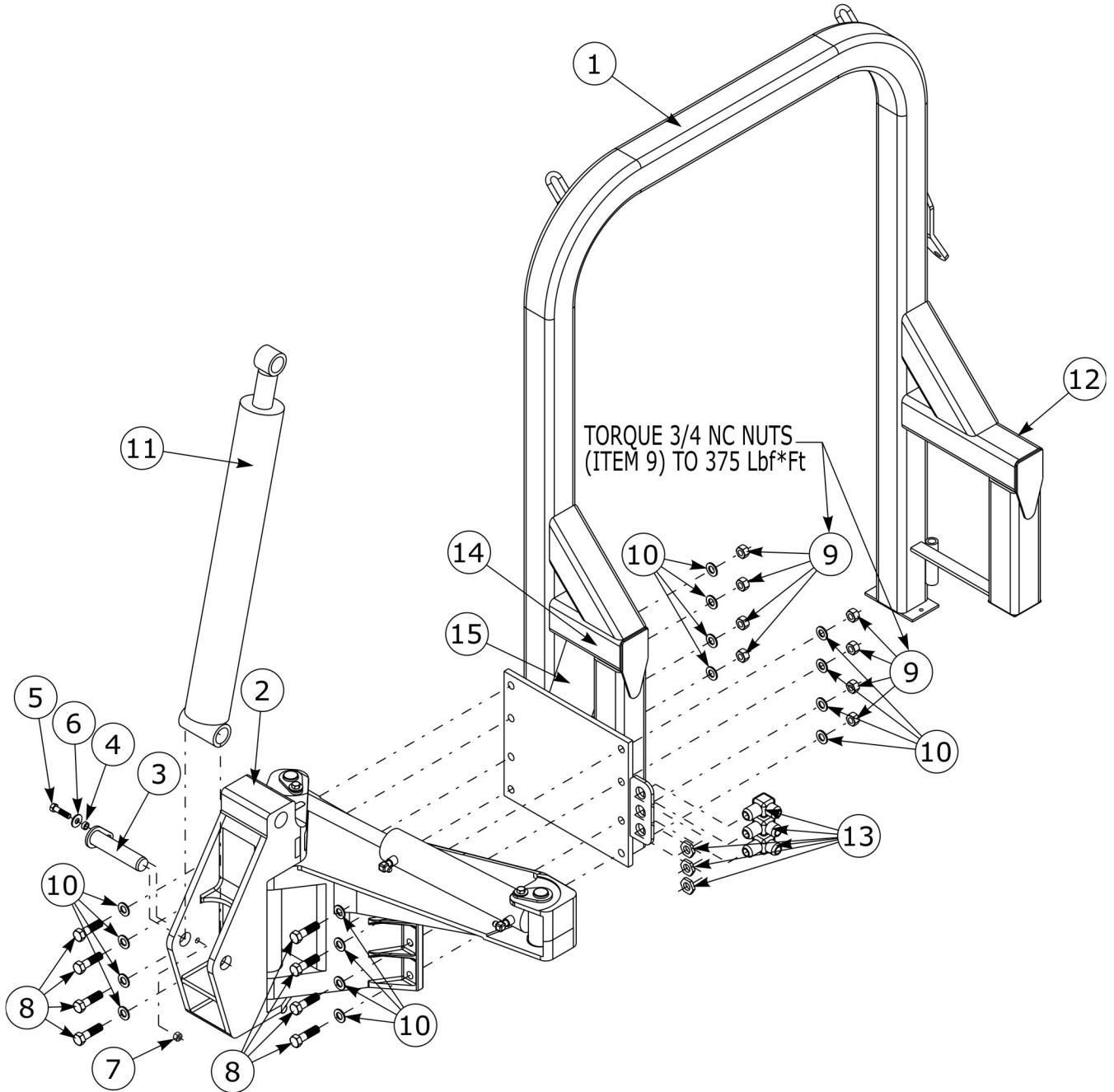
ITEM	PART NO.	QTY.	DESCRIPTION
1	02982828	1	DECAL, TEMP RANGE
2	02971943	1	DECAL, LOGO RECT CLEAR Y/W, 2 7/8 X 20
3	02965262	1	DECAL - WARNING - HOSE BURST
4	02971123	1	DECAL WARNING PRESS TANK
5	02987402	1	DECAL, VALVE LAYOUT M2

FILTER ASY



ITEM	PART NO.	QTY.	DESCRIPTION
	02985828	1	FILTER, RETURN
1	02981713	1	HEAD, FILTER RTB30
2	02981714	1	COVER, FILTER
3	02981715	1	SPRING, FILTER, ASY
4	02981716	1	KIT, SEAL, FILTER, RETURN
5	02981717	1	ELEMENT, FILTER, RETURN
6	02981718	1	BOWL, FILTER, RETURN
7	02981719	1	GUARD, FILTER, RETURN
8	02981720	1	BREATHER, ELEMENT, FILTER
9	02981721	1	COVER, BREATHER, FILTER
10	02987302	1	INDICATOR, FILTER BYPASS

HIGH FRAME MOUNT ASY - 2WD



HIGH FRAME MOUNT ASY - 2WD

Continued...

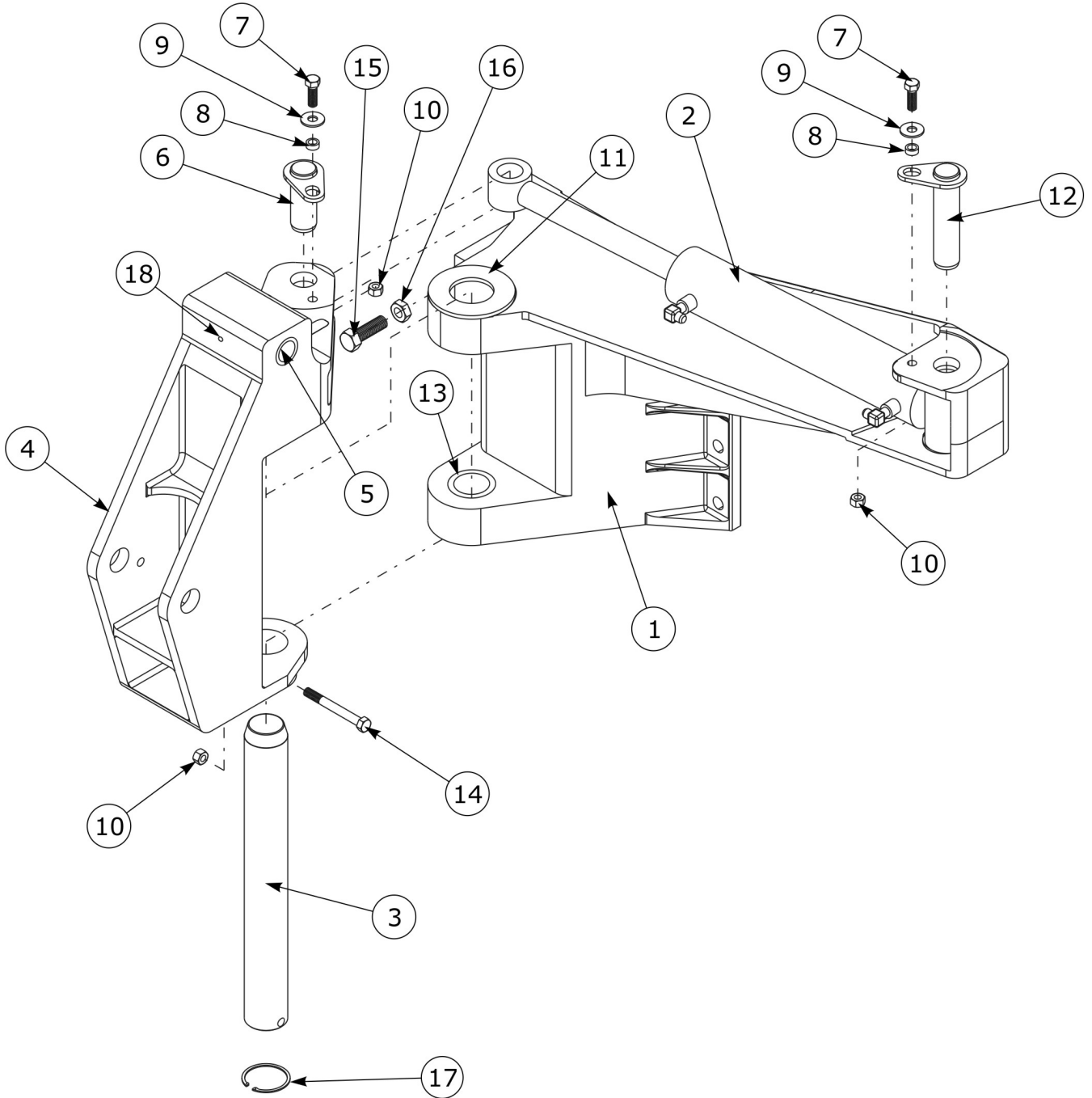
ITEM	PART NO.	QTY.	DESCRIPTION
	02978449	1	ASY HIGH FRAME 2WD
1	02978447	1	WELDMENT FRAME 2WD
2	02978000	1	SUB-ASY KINGPOST FRAME
3	02978461	1	WLDMT PIN 1-1/2 OD X 6-3/4 LG CHROMED
4	02975596	1	TUBE SPACER 3/4 OD X .51 ID X .31 LG
5	00013300	1	HHCS 1/2 NC 2 PL5
6	00002700	1	FLATWASHER 1/2 PL STD
7	00001800	1	LOCKNUT 1/2 NC PLB
8	02960521	8	HHCS 3/4 NC 2-3/4 PL8
9	00037200	8	LOCKNUT 3/4 NC PLC
10	5312316	16	WASHER 25/32 X 1-7/16 X 1/8 HARDENED
11	02968841	1	ASSEMBLY LIFT CYLINDER
12	00725746	1	DECAL SPANISH TRANSL
13	02742500	3	ELBOW 16MJ -16MJ90 BULKHEAD
14	02962765	1	DECAL MULTI-HAZZARD
15	02965262	1	DECAL HOSE BURST

HIGH FRAME MOUNT ASY - 4WD

Continued...

ITEM	PART NO.	QTY.	DESCRIPTION
	02978450	1	ASY HIGH FRAME 4WD
1	02978448	1	WELDMENT FRAME 4WD
2	02978000	1	SUB-ASY KINGPOST FRAME
3	02978461	1	WLDMT PIN 1-1/2 OD X 6-3/4 LG CHROMED
4	02975596	1	TUBE SPACER 3/4 OD X .51 ID X .31 LG
5	00013300	1	HHCS 1/2 NC 2 PL5
6	00002700	1	FLATWASHER 1/2 PL STD
7	00001800	1	LOCKNUT 1/2 NC PLB
8	02960521	8	HHCS 3/4 NC 2-3/4 PL8
9	00037200	8	LOCKNUT 3/4 NC PLC
10	5312316	16	WASHER 25/32 X 1-7/16 X 1/8 HARDENED
11	02968841	1	ASSEMBLY LIFT CYLINDER
12	00725746	1	DECAL SPANISH TRANSL
13	02742500	3	ELBOW 16MJ -16MJ90 BULKHEAD
14	02962765	1	DECAL MULTI-HAZZARD
15	02965262	1	DECAL HOSE BURST

HIGH FRAME MOUNT SUB-ASY

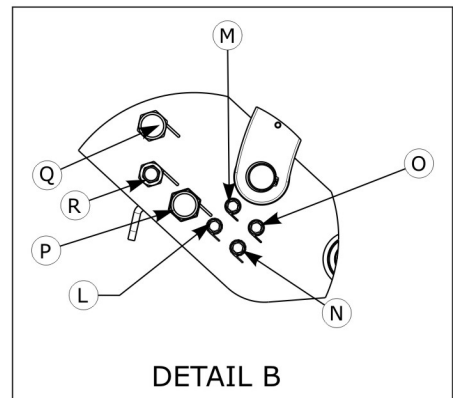
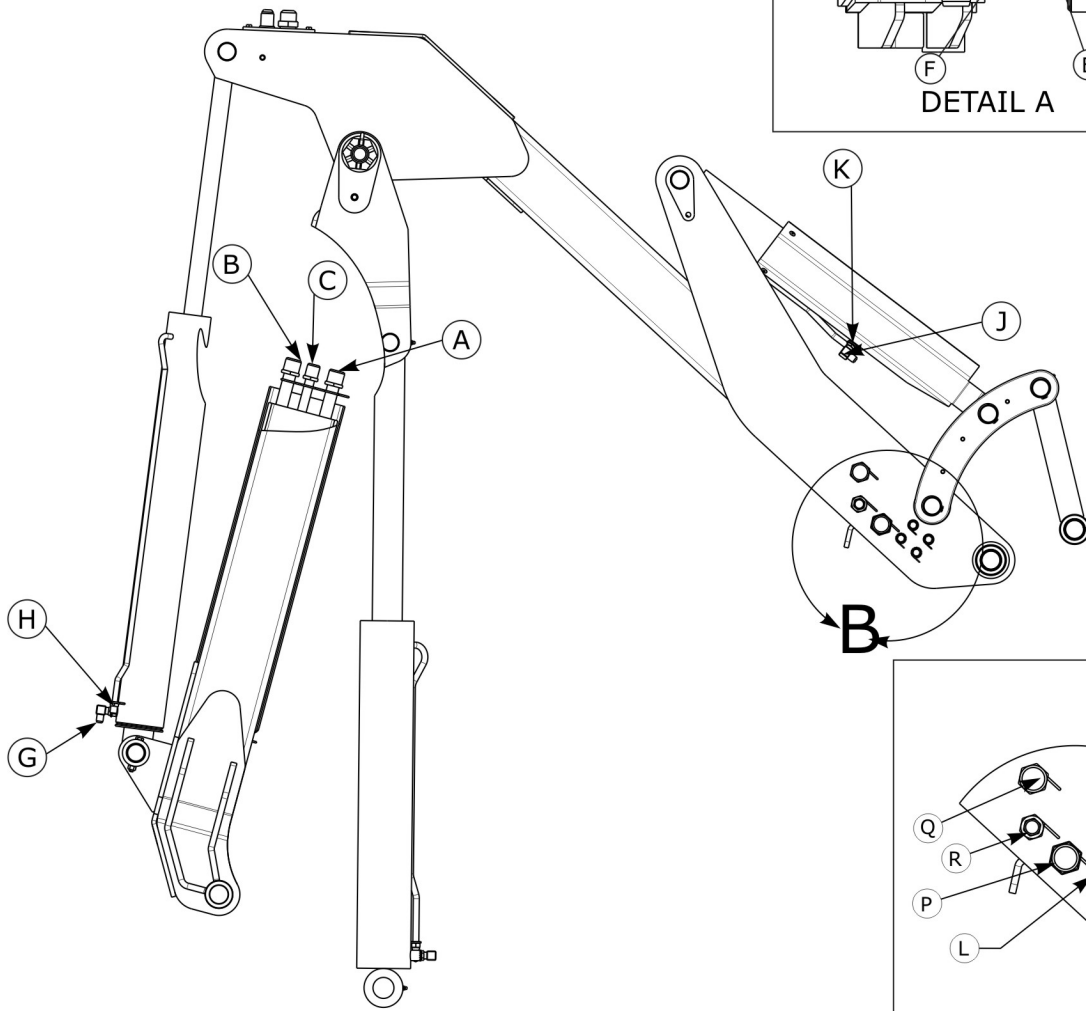
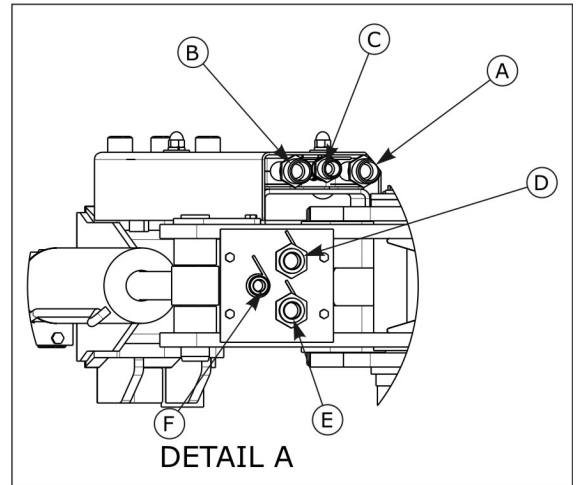
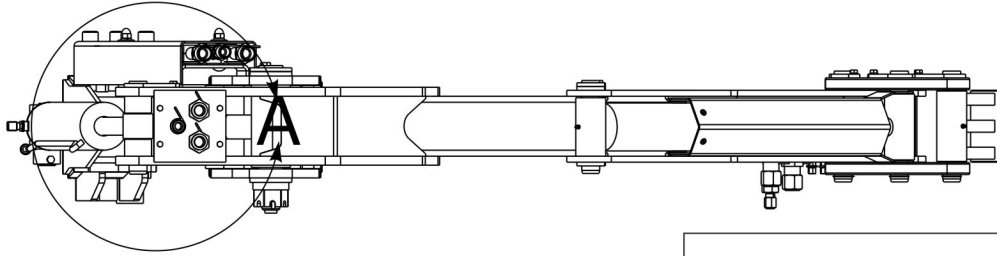


HIGH FRAME MOUNT SUB-ASY

Continued...

ITEM	PART NO.	QTY.	DESCRIPTION
	02978000	1	SUB-ASSEMBLY KINGPOST FRAME
1	02975491	1	MOUNTING KINGPOST MACHINED
2	02968840	1	ASSY,SWING CYLINDER
3	02975508	1	PIN 2-1/2 OD X 20-11/16 LONG
4	02975493	1	KINGPOST MACHINED
5	02987739	2	BUSHING CONNEX 1-3/4 X1 -1/2X3
6	02978477	1	WLDMT PIN 1-1/2 X 3-9/16 LG
7	00748823	2	HHCS 1/2-13UNC 1-1/2 PL5
8	02975596	2	TUBE SPACER 3/4 OD X .51 ID X
9	00002700	2	FLATWASHER 1/2 PL STD
10	00001800	3	LOCKNUT TLM 1/2 NC PLB
11	02966088	1	WASHER,THRUST-5OD X 2-9/16ID
12	02978476	1	WLDMT PIN 1-1/2 OD X 6 LG
13	02987636	2	BUSHING CONNEX 2-3/4 X2 -1/2X2
14	02956765	1	HHCS 1/2 NC 4-1/2 PL8
15	02963646	1	HHCS 3/4 NC 2-1/2 PL8
16	02023900	1	NUT 3/4 NC HEX PL JAM
17	02975429	1	SNAP RING INTERNAL 2.775 DIA X
18	00752670	3	FITTING,GREASE STRAIGHT 1/4-28

HOSE ROUTING - 18 FT BOOM

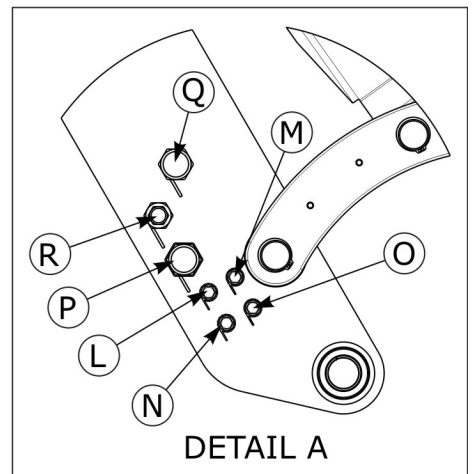
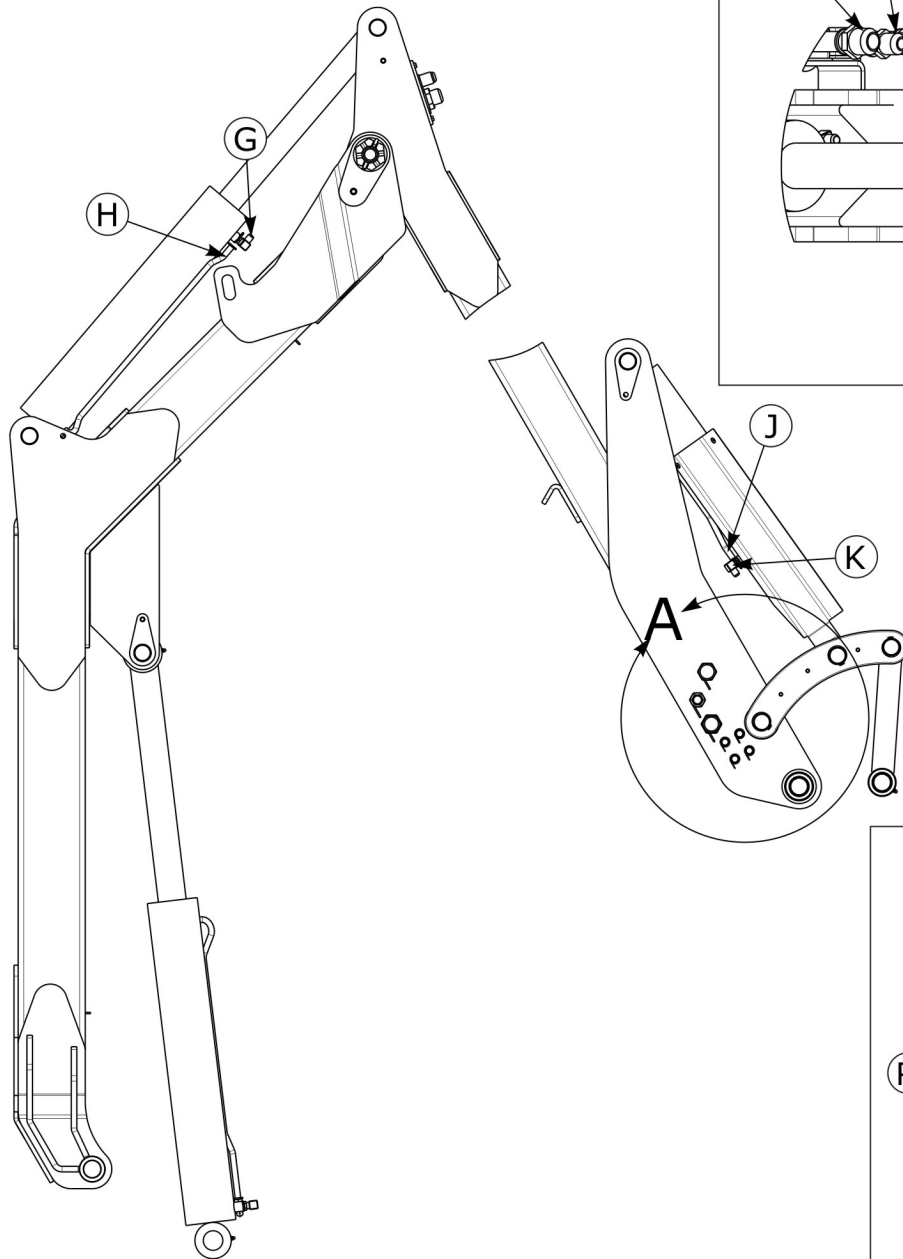
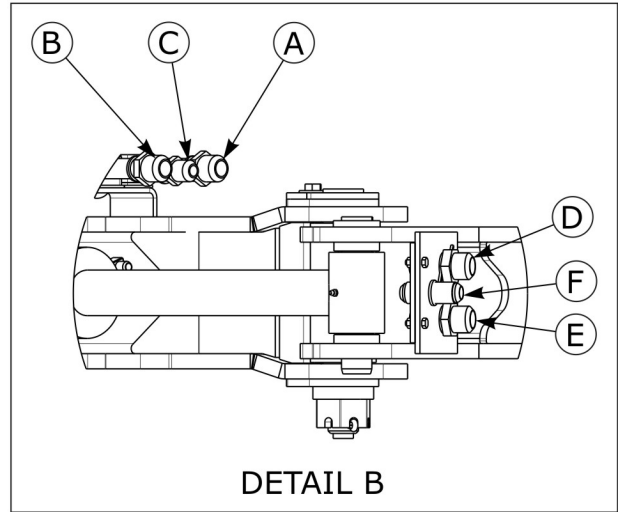
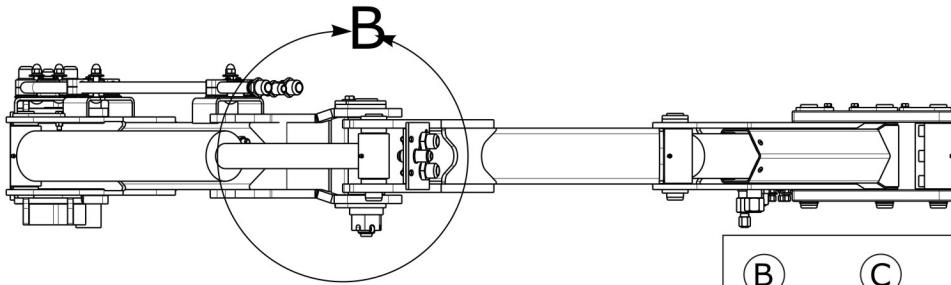


HOSE ROUTING - 18 FT BOOM NOTES

Hose Part Number	Description	Connection 1	Connection 2
02983346	TILT RED (LIFT)	N/A	02983350
02983347	TILT R/W (lift)	N/A	02983351
02983348	DOOR YELLOW (LIFT)	N/A	02983352
02983349	DOOR Y/W (LIFT)	N/A	02983353
02983531	SWIVEL GREEN (LIFT)	N/A	02983533
02983532	SWIVEL G/W (LIFT)	N/A	02983534
02983350	TILT RED (DIPPER)	02983346	J
02983351	TILT R/W (DIPPER)	02983347	K
02983352	DOOR YELLOW (DIPPER)	02983348	M
02983353	DOOR Y/W (DIPPER)	02983349	L
02983533	SWIVEL GREEN (DIPPER)	02983531	O
02983534	SWIVEL G/W (DIPPER)	02983532	N
02984267	DIPPER CYL BLUE	N/A	H
02984268	DIPPER CYL B/W	N/A	G
02984833	MOTOR PRESSURE	A	D
02984834	MOTOR RETURN	B	E
02984835	MOTOR CASE DRAIN	C	F
02986007	MOTOR PRESSURE	D	P
02986008	MOTOR RETURN	E	Q
02986009	MOTOR CASE DRAIN	F	R

ITEM	PART NO.	QTY.	DESCRIPTION
1	02983346	1	HOSE #6-6FJX-6MJ-61LG
2	02983347	1	HOSE #6-6FJX-6MJ-61LG
3	02983348	1	HOSE #4-4FJX-4MJ-61LG
4	02983349	1	HOSE #4-4FJX-4MJ-61LG
5	02983531	1	HOSE #4-4FJX-4MJ-61LG
6	02983532	1	HOSE #4-4FJX-4MJ-61LG
7	02983350	1	HOSE #6-6FJX-6MJ-124LG
8	02983351	1	HOSE #6-6FJX-6MJ-124LG
9	02983352	1	HOSE #4-4FJX-4MJ-116LG
10	02983353	1	HOSE #4-4FJX-4MJ-116LG
11	02983533	1	HOSE #4-4FJX-4MJ-116LG
12	02983534	1	HOSE #4-4FJX-4MJ-116LG
13	02984267	1	HOSE #6-6FJX-6MJ-36LG
14	02984268	1	HOSE #6-6FJX-6MJ-36LG
15	02984833	1	HOSE #16-16FJX-16FJX45-54LG
16	02984834	1	HOSE #16-16FJX-16FJX45-58-1/2
17	02984835	1	HOSE #12-12FJX-12FJX45-60-1/2
18	02986007	1	HOSE #16-16FJX-16FJX90-62-1/2
19	02986008	1	HOSE #16-16FJX-16FJX90-58-3/4
20	02986009	1	HOSE #12-12FJX-12FJX-60-1/8
21	02961085	1	CORDURA SLEEVING-54 LG
22	02982334	1	CORDURA SLEEVE, 2.54ID, 10LG
23	02983079	1	SLEEVE 66" CORDURA 2.54 ID
24	02986797	1	CORDURA SLEEVE, 2.54ID, 14LG

HOSE ROUTING - 22 FT BOOM

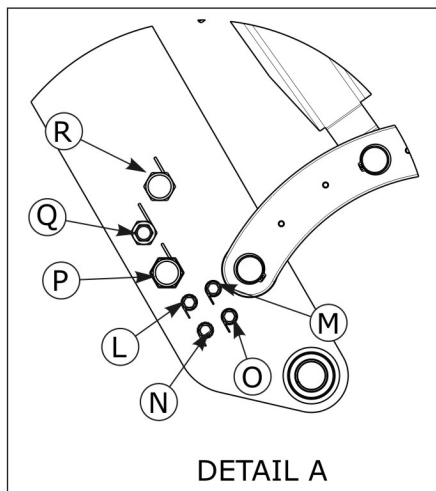
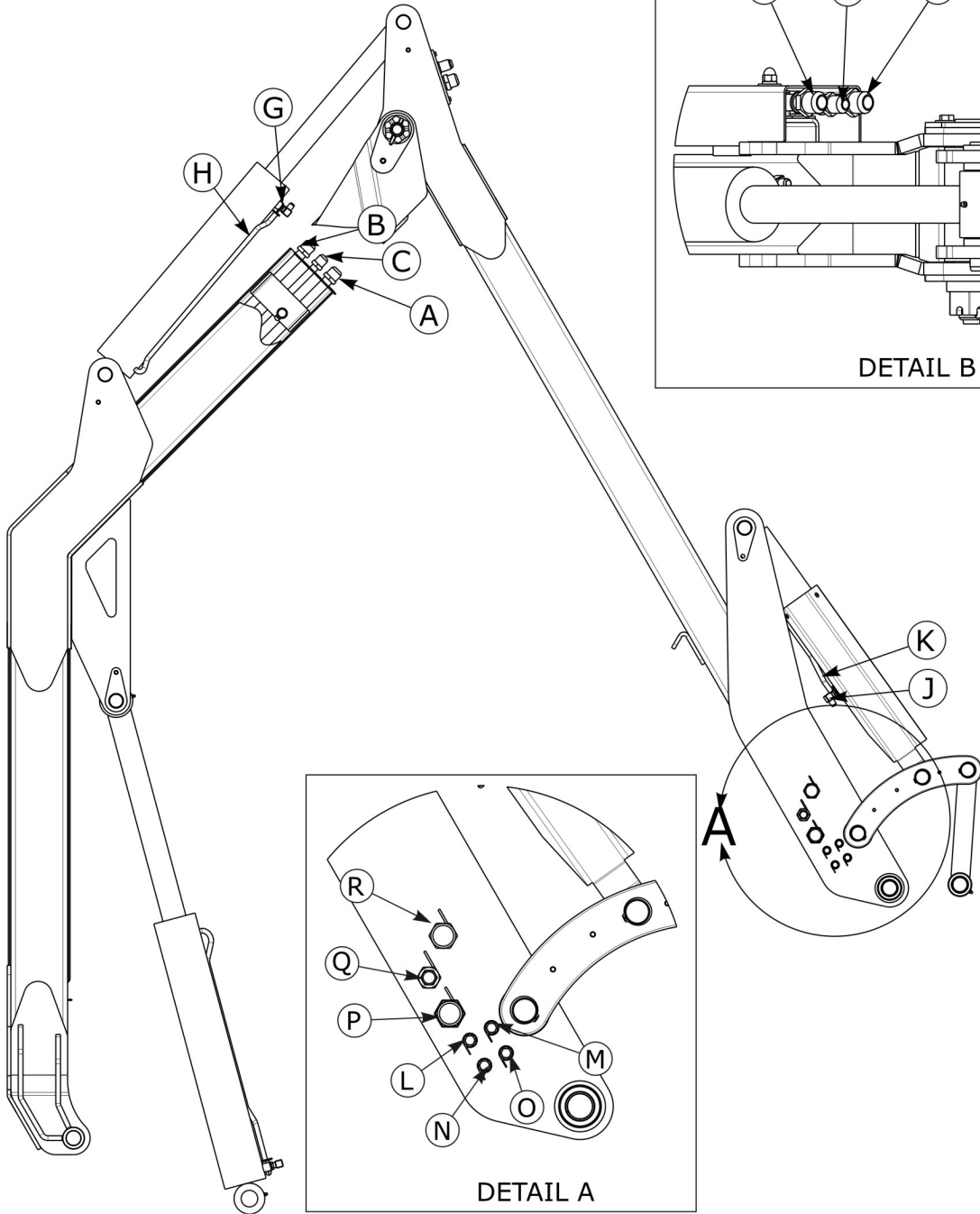
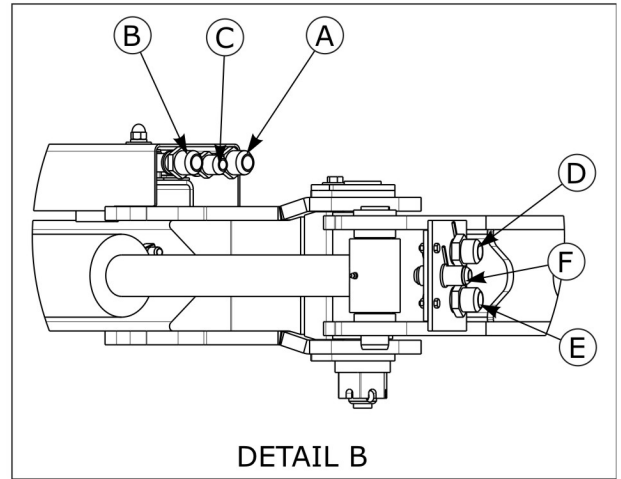
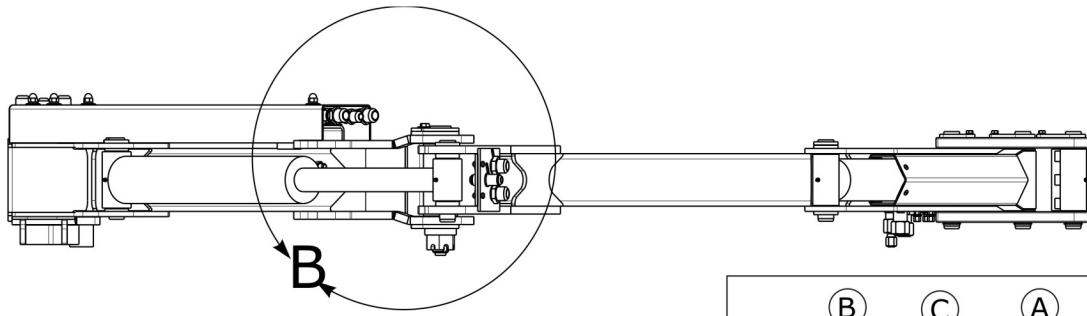


HOSE ROUTING - 22 FT BOOM NOTES

Hose Part Number	Description	Connection 1	Connection 2
02983178	DIPPER BLU	N/A	H
02983179	DIPPER B/W	N/A	G
02983180	TILT RED (LIFT)	N/A	02983184
02983181	TILT R/W (lift)	N/A	02983185
02983182	DOOR YELLOW (LIFT)	N/A	02983186
02983183	DOOR Y/W (LIFT)	N/A	02983187
02983503	SWIVEL GREEN (LIFT)	N/A	02983499
02983504	SWIVEL G/W (LIFT)	N/A	02983500
02983184	TILT RED (DIPPER)	02983180	J
02983185	TILT R/W (DIPPER)	02983181	K
02983186	DOOR YELLOW (DIPPER)	02983182	M
02983187	DOOR Y/W (DIPPER)	02983183	L
02983499	SWIVEL GREEN (DIPPER)	02983503	O
02983500	SWIVEL G/W (DIPPER)	02983504	N
02986107	MOTOR PRESSURE	A	D
02986108	MOTOR RETURN	B	E
02986109	MOTOR CASE DRAIN	C	F
02986004	MOTOR PRESSURE	D	P
02986005	MOTOR RETURN	E	Q
02986006	MOTOR CASE DRAIN	F	R

ITEM	PART NO.	QTY.	DESCRIPTION
1	02983178	1	HOSE #6-6FJX-6MJ-108LG
2	02983179	1	HOSE #6-6FJX-6MJ-108LG
3	02983180	1	HOSE #6-6FJX-6MJ-94LG
4	02983181	1	HOSE #6-6FJX-6MJ-94LG
5	02983182	1	HOSE #4-4FJX-4MJ-94LG
6	02983183	1	HOSE #4-4FJX-4MJ-94LG
7	02983503	1	HOSE #4-4FJX-4MJ-94LG
8	02983504	1	HOSE #4-4FJX-4MJ-94LG
9	02983184	1	HOSE #6-6FJX-6MJ-140LG
10	02983185	1	HOSE #6-6FJX-6MJ-140LG
11	02983186	1	HOSE #4-4FJX-4MJ-140LG
12	02983187	1	HOSE #4-4FJX-4MJ-140LG
13	02983499	1	HOSE #4-4FJX-4MJ-140LG
14	02983500	1	HOSE #4-4FJX-4MJ-140LG
15	02986107	1	HOSE #16-16FJX-16FJX-62LG
16	02986108	1	HOSE #16-16FJX-16FJX-62LG
17	02986109	1	HOSE #12-12FJX-12FJX-62LG
18	02986004	1	HOSE #16-16FJX-16FJX90-69-7/8
19	02986005	1	HOSE #16-16FJX-16FJX90-65-1/2
20	02986006	1	HOSE #12-12FJX-12FJX90-69-1/8
21	02986798	1	CORDURA SLEEVE, 3.66ID, 58LG
22	02982334	1	CORDURA SLEEVE, 2.54ID, 10LG
23	02983079	1	SLEEVE 66" CORDURA 2.54 ID
24	02986797	1	CORDURA SLEEVE, 2.54ID, 14LG

HOSE ROUTING - 25 FT BOOM

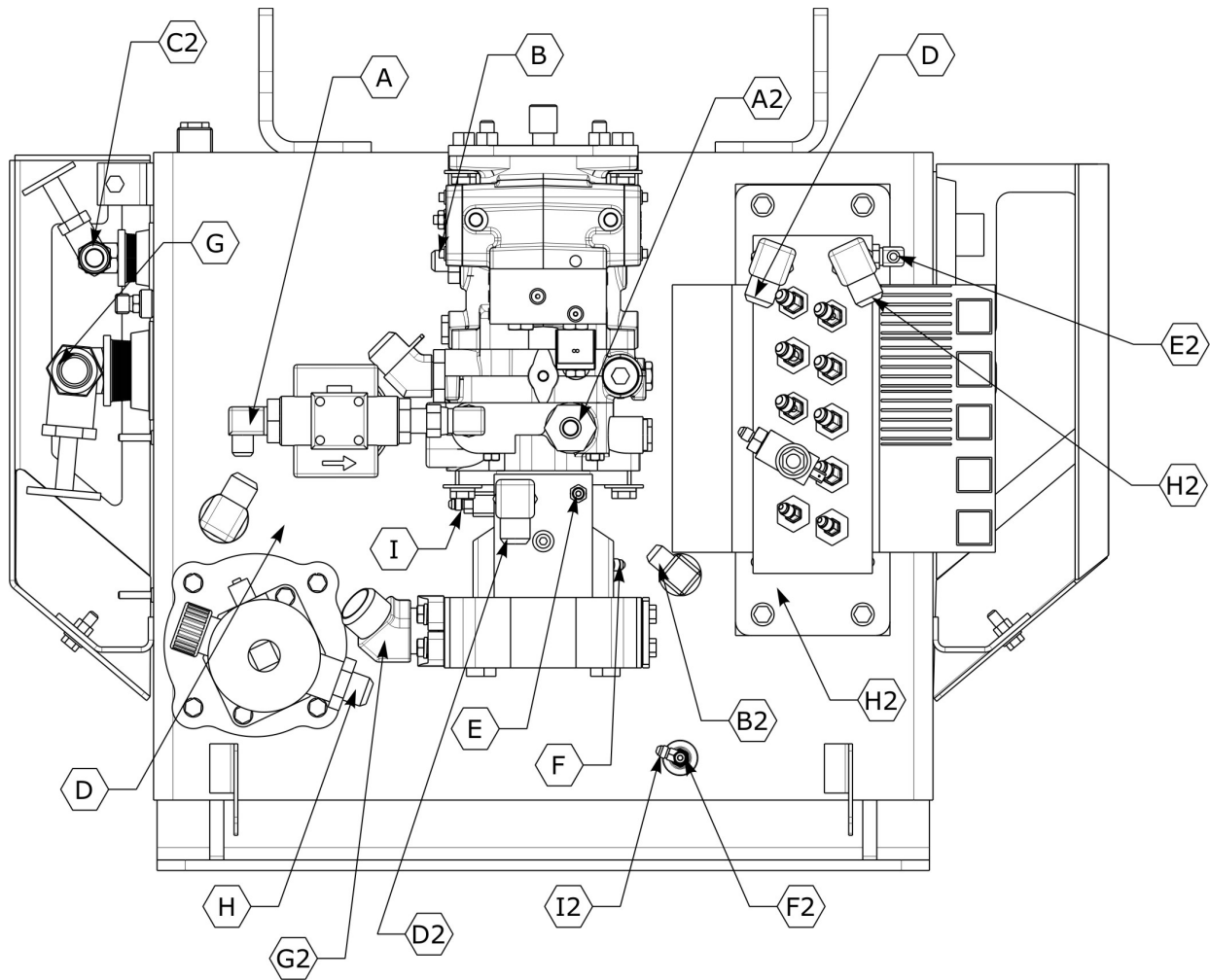


HOSE ROUTING - 25 FT BOOM NOTES

Hose Part Number	Description	Connection 1	Connection 2
02983188	DIPPER BLU	N/A	H
02983189	DIPPER B/W	N/A	G
02983190	TILT RED (LIFT)	N/A	02983194
02983191	TILT R/W (LIFT)	N/A	02983195
02983192	DOOR YELLOW (LIFT)	N/A	02983196
02983193	DOOR Y/W (LIFT)	N/A	02983197
02983505	SWIVEL GREEN (LIFT)	N/A	02983501
02983506	SWIVEL G/W (LIFT)	N/A	02983502
02983194	TILT RED (DIPPER)	02983190	J
02983195	TILT R/W (DIPPER)	02983191	K
02983196	DOOR YELLOW (DIPPER)	02983192	M
02983197	DOOR Y/W (DIPPER)	02983193	L
02983501	SWIVEL GREEN (DIPPER)	02983505	O
02983502	SWIVEL G/W (DIPPER)	02983506	N
02986107	MOTOR PRESSURE	A	D
02986108	MOTOR RETURN	B	E
02986109	CASE DRAIN	C	F
02986001	MOTOR PRESSURE	P	S
02986002	MOTOR RETURN	Q	T
02986003	CASE DRAIN	R	U

ITEM	PART NO.	QTY.	DESCRIPTION
1	02983188	1	HOSE #6-6FJX-6MJ-126LG
2	02983189	1	HOSE #6-6FJX-6MJ-126LG
3	02983190	1	HOSE #6-6FJX-6MJ-102LG
4	02983191	1	HOSE #6-6FJX-6MJ-102LG
5	02983192	1	HOSE #4-4FJX-4MJ-102LG
6	02983193	1	HOSE #4-4FJX-4MJ-102LG
7	02983505	1	HOSE #4-4FJX-4MJ-102LG
8	02983506	1	HOSE #4-4FJX-4MJ-102LG
9	02983194	1	HOSE #6-6FJX-6MJ-158LG
10	02983195	1	HOSE #6-6FJX-6MJ-158LG
11	02983196	1	HOSE #4-4FJX-4MJ-158LG
12	02983197	1	HOSE #4-4FJX-4MJ-158LG
13	02983501	1	HOSE #4-4FJX-4MJ-158LG
14	02983502	1	HOSE #4-4FJX-4MJ-158LG
15	02986107	1	HOSE #16-16FJX-16FJX-62LG
16	02986108	1	HOSE #16-16FJX-16FJX-62LG
17	02986109	1	HOSE #12-12FJX-12FJX-62LG
18	02986001	1	HOSE #16-16FJX-16FJX90-88
19	02986002	1	HOSE #16-16FJX-16FJX90-83-5/8
20	02986003	1	HOSE #12-12FJX-12FJX90-87-1/4
22	02986798	1	CORDURA SLEEVE, 3.66ID, 58LG
23	02982334	1	CORDURA SLEEVE, 2.54ID, 10LG
24	02983079	1	SLEEVE 66" CORDURA 2.54 ID
25	02986810	1	CORDURA SLEEVE, 3.66ID, 76LG
26	02986797	1	CORDURA SLEEVE, 2.54ID, 14LG

HOSE ROUTING - HYDRAULIC KIT



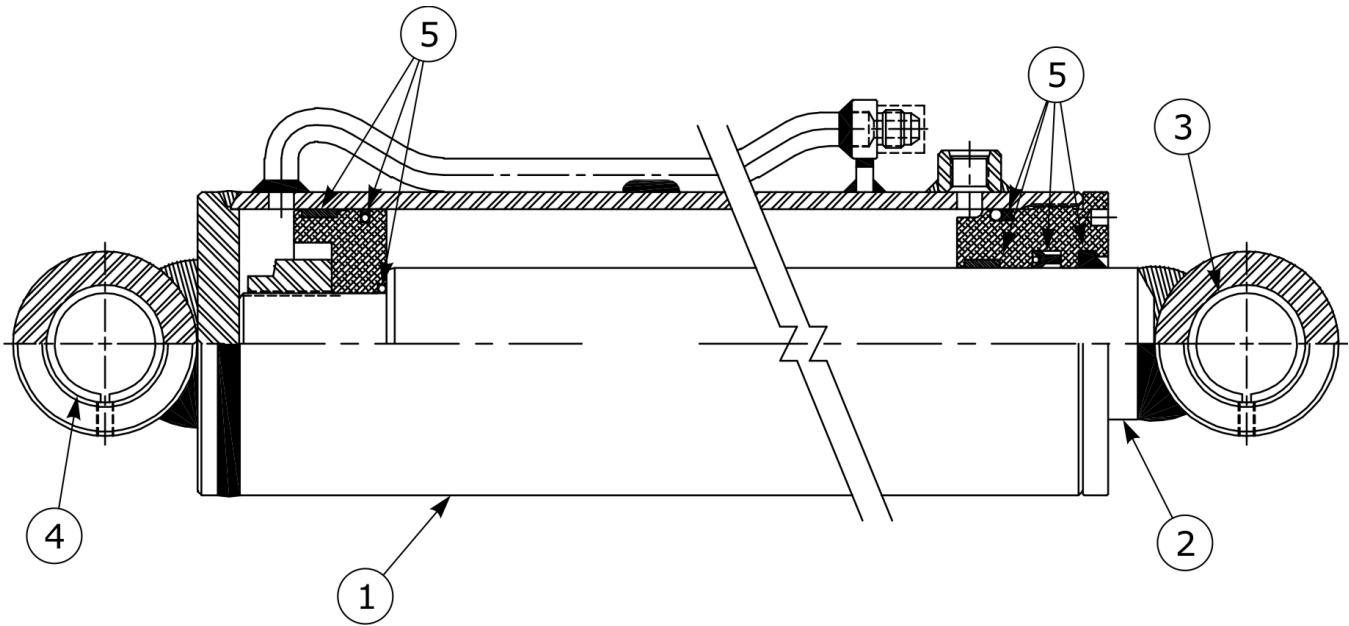
HOSE P/N	LOCATION	CONNECTION 1	CONNECTION 2
02981427	CHARGE FILTER TO PUMP	A (FJX)	A2 (FJX90)
02981428	CASE DRAIN TO TANK	B (FJX90)	B2 (FJX)
02981429	PUMP TO SUCTION FILTER	C (FJX) *SHEET 1	C2 (FJX)
02986726	PUMP TO VALVE SUPPLY	D (FJX)	D2 (FJX90)
02981431	PUMP LOAD SENSE TO VALVE	E (FJX90)	E2 (FJX)
02981432	PUMP REGULATOR TO TANK	F (FJX90)	F2 (FJX)
02981433	PUMP TO SUCTION FILTER	G (FJX)	G2 (FJX)
02987742	VALVE RETURN TO FILTER	H (FJX)	H2 (FJX)
02823600	AIR BLEED TO TANK	I (FJX) *SHEET 1	I2 (FJX)

HOSE ROUTING - HYDRAULIC KIT

Continued...

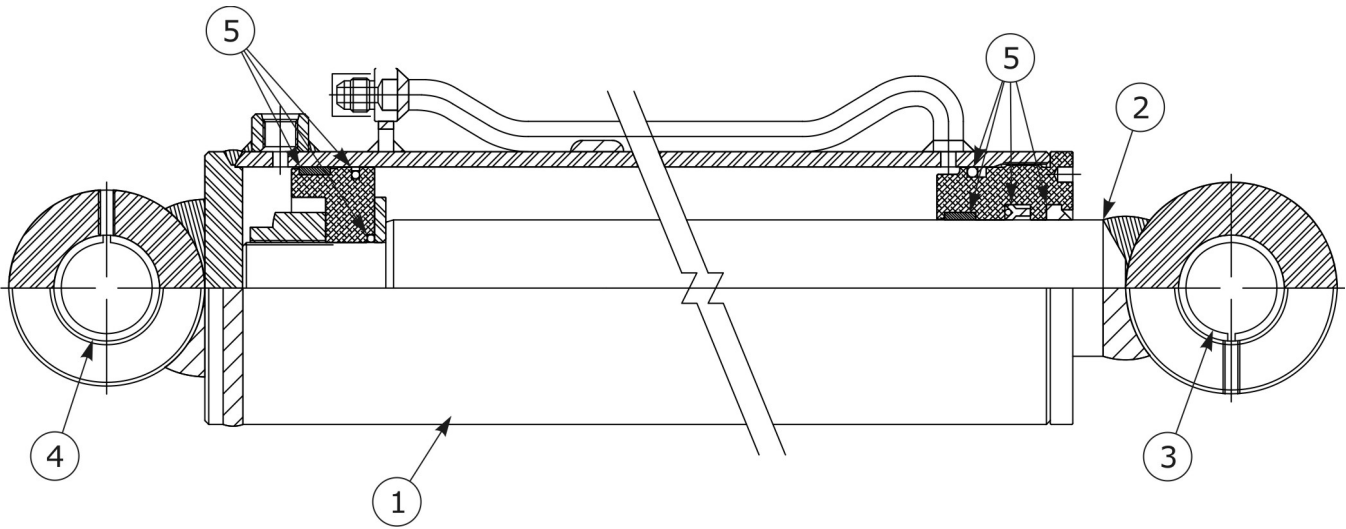
ITEM	PART NO.	QTY.	DESCRIPTION
1	02981427	1	HOSE #8-8FJX-8FJX90-24LG
2	02981428	1	HOSE #8-8FJX-8FJX90-21LG
3	02981429	1	HOSE #12-12FJX-12FJX-23LG
4	02986726	1	HOSE #12-12FJX-12FJX90-24LG
5	02981431	1	HOSE #4-4FJX-4FJX90-35LG
6	02981432	1	HOSE #4-4FJX-4FJX90-20LG
7	02981433	1	HOSE #20-20FJX-20FJX-24LG
8	02987742	1	HOSE #12-12FJX-12FJX 36LG
9	02823600	1	HOSE #4 - 4FJX - 4FJX - 28LG

HYDARULIC CYLINDER ASY - DIPPER 22-25 FT BOOM



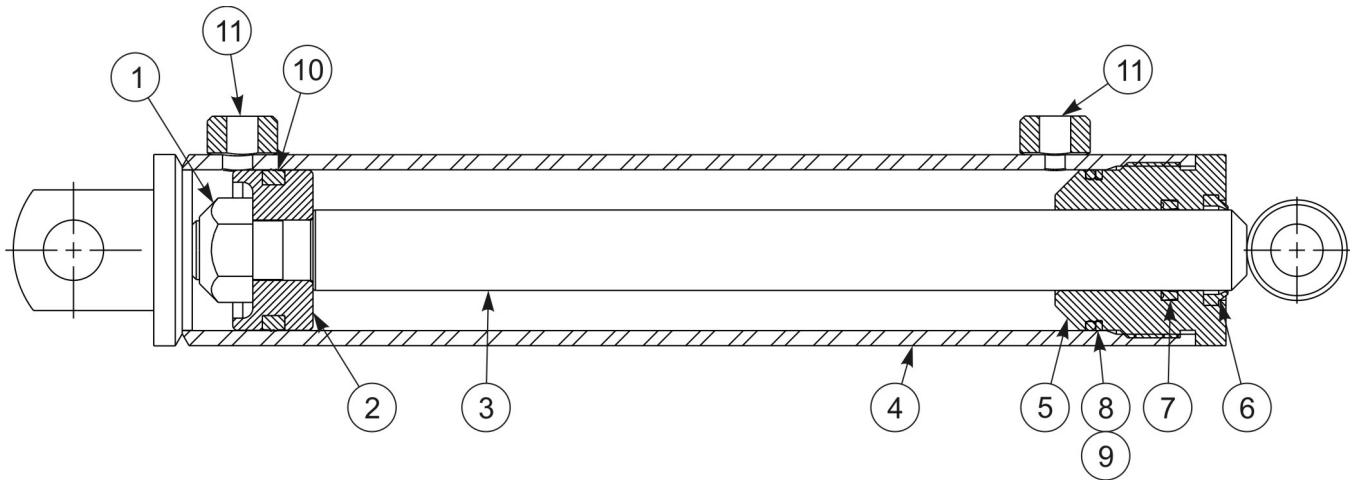
ITEM	PART NO.	QTY.	DESCRIPTION
	02981277	1	HYD CYL ASY, 4" BORE X 21.5" STROKE (22 & 25 FT BOOM)
1	02981925	1	BARREL WLDMT
2	02981926	1	ROD WLDMT
3	02982250	2	BUSHING, ROD END 1-1/2" LG
4	02982251	2	BUSHING, BARREL END 2" LG
5	02982068	1	SEAL KIT

HYDARULIC CYLINDER ASY - LIFT BOOM



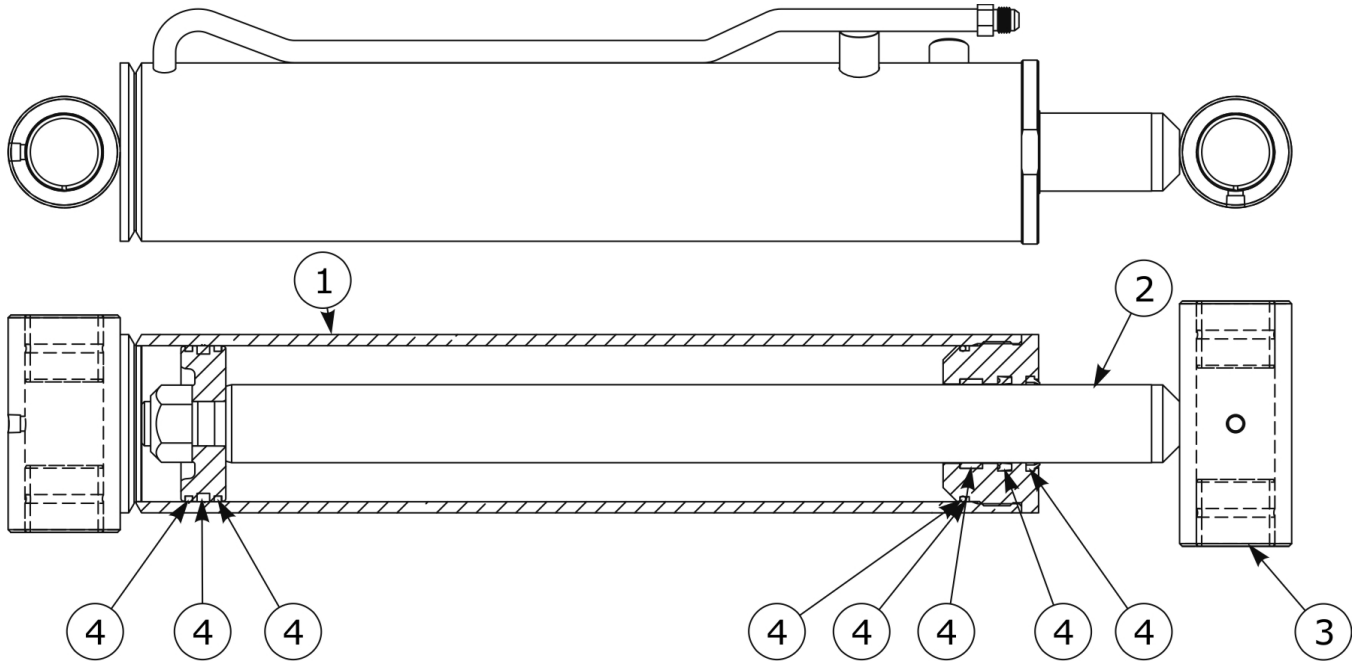
ITEM	PART NO.	QTY.	DESCRIPTION
	02981279	1	CYLINDER ASY, 4" BORE X 24.63" STROKE
1	02981929	1	BARREL WELDMENT
2	02981930	1	ROD WELDMENT
3	02982250	2	BUSHING, ROD END 1-1/2" LG
4	02982251	2	BUSHING, BARREL END 2" LG
5	02982068	1	SEAL KIT

HYDRAULIC CYLINDER ASY - HEAD SWIVEL (OPTIONAL)



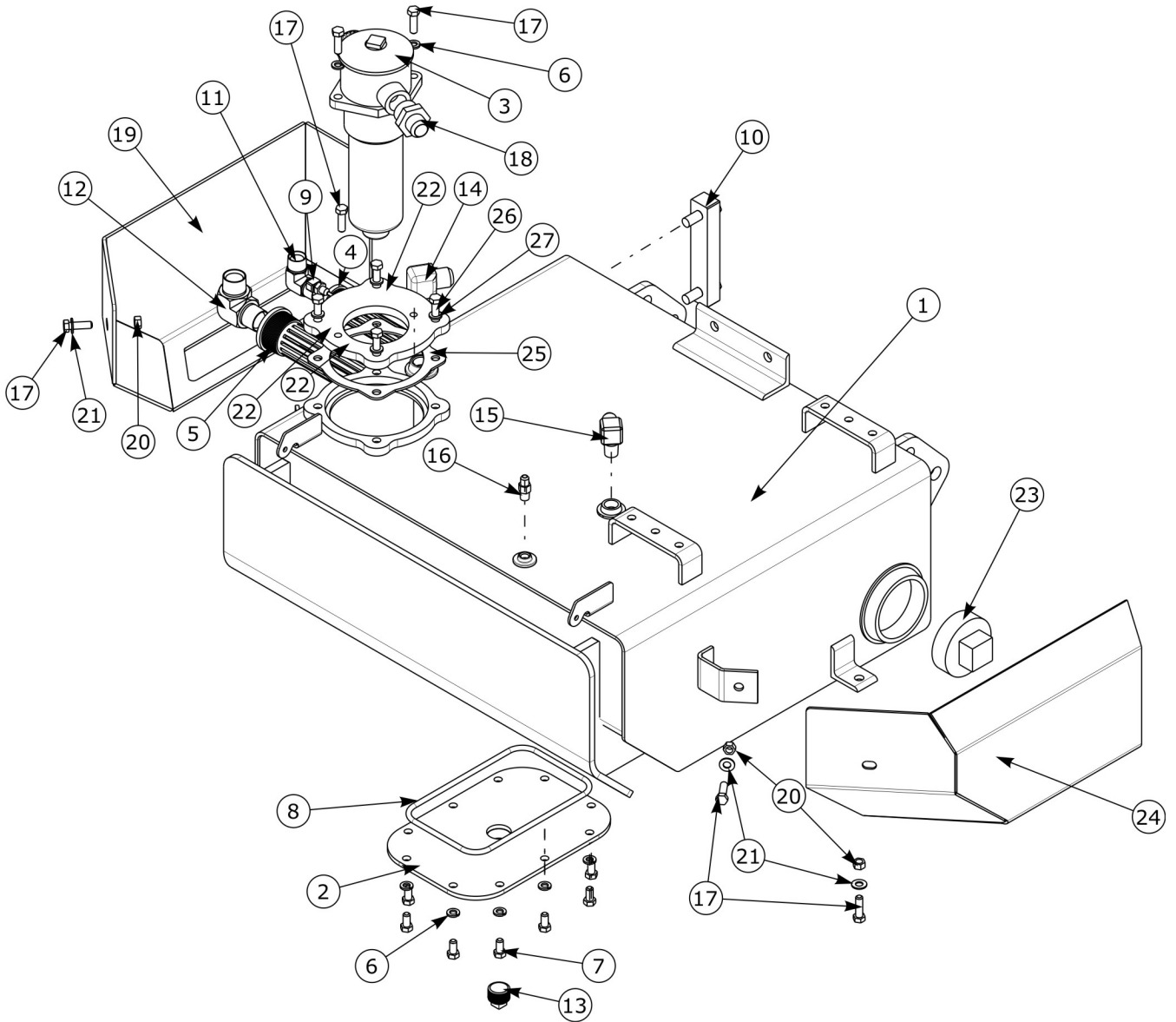
ITEM	PART NO.	QTY.	DESCRIPTION
	02961480A	1	DOOR CYLINDER ASY.
1	5JRC12160	1	LOCKNUT
2	33309	1	PISTON
3	02975865	1	ROD WLD'MT
4	02975866	1	TUBE / BARREL WLD'MT
5	02975867	1	CYLINDER HEAD
6	* SEAL KIT	1	ROD WIPER SEAL (IN ITEM 12)
7	* SEAL KIT	1	ROD SEAL (IN ITEM 12)
8	* SEAL KIT	1	O-RING (IN ITEM 12)
9	* SEAL KIT	1	SEAL (IN ITEM 12)
10	* SEAL KIT	1	PISTON SEAL (IN ITEM 12)
11	-----	2	O-RING F/ O-RING BOSS FITTING
12	02975528	1	SEAL KIT (ITEMS 6 THRU 10)

HYDRAULIC CYLINDER ASY - TILT



ITEM	PART NO.	QTY.	DESCRIPTION
	02984944	1	CYLINDER, 3.5B X 1.75R X16S
1	02986266	1	BARREL WLD`MT
2	02986287	1	ROD WLD`MT
3	02982250	2	BUSHING ROD END 1-1/2" LG
4	02986288	1	SEAL KIT

HYDRAULIC TANK SUB-ASY

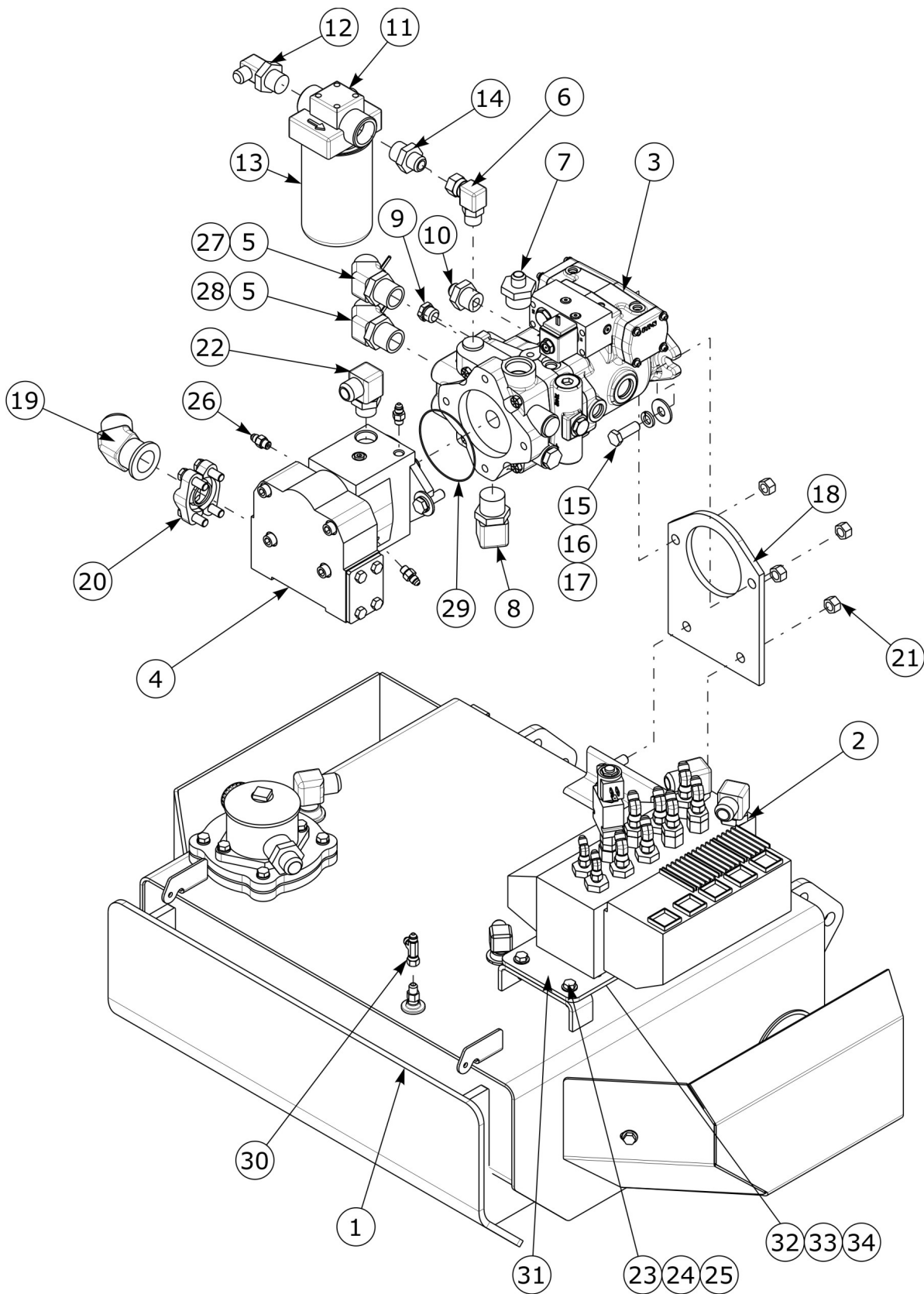


HYDRAULIC TANK SUB-ASY

Continued...

ITEM	PART NO.	QTY.	DESCRIPTION
	02987800	1	SUB-ASY HYDRAULIC TANK
1	02981389	1	TANK, WELDMENT, HYDRAULIC
2	02981413	1	WELDMENT, COVER, CLEANOUT
3	02985828	1	FILTER, RETURN, VISUAL INDICATOR
4	02968166	1	STRAINER, SUCTION 1-1/4 WITH 3/4" OULET
5	02964345	1	STRAINER, SUCTION 2 WITH 1-1/4 OUTLET
6	00012101	12	LOCKWASHER, 3/8" PL
7	00002000	10	HHCS 3/8 NC 3/4 PL5
8	02981400	1	O-RING, CLEANOUT SEAL
9	02981412	1	SENSOR, TEMPERATURE
10	02968880	1	GAUGE, TEMP LEVEL INDICATOR
11	02987786	1	ADP, HYD ELBOW 12MP - 12MP 90
12	65108000	1	ADP, HYD ELBOW 20MP - 20MP 90
13	02963659	1	PLUG, MAGNETIC 1" NPT
14	02041800	1	ADP, HYD ELBOW 12MP - 12MJ 90
15	02825900	1	ADP, HYD 8MP - 8MJ 90
16	02823200	1	ADP, HYD 4MP - 4MJ ST
17	00753642	6	HHCS 3/8 NC 1-1/4 PL5
18	02958316	1	ADP, HYD 16MB - 12MJ ST
19	02981386	1	ASY, SHIELD FORMED
20	00015800	4	LOCKNUT TLM 3/8 NC PLC
21	00011100	4	FLATWASHER 3/8 STD
22	02982876	1	PLATE FILTER ADAPTER
23	02982877	1	PIPE PLUG 3"
24	02982871	1	DRIVER SIDE COVER WELDMENT
25	02963662	1	GASKET, FILTER ASY, FIBER
26	00011400	4	BOLT, HHCS 3/8 NC 1 PL5
27	03101646	4	LOCKWASHER 3/8

HYDRAULIC TANK W/PUMP AND ELECT VALVE ASY

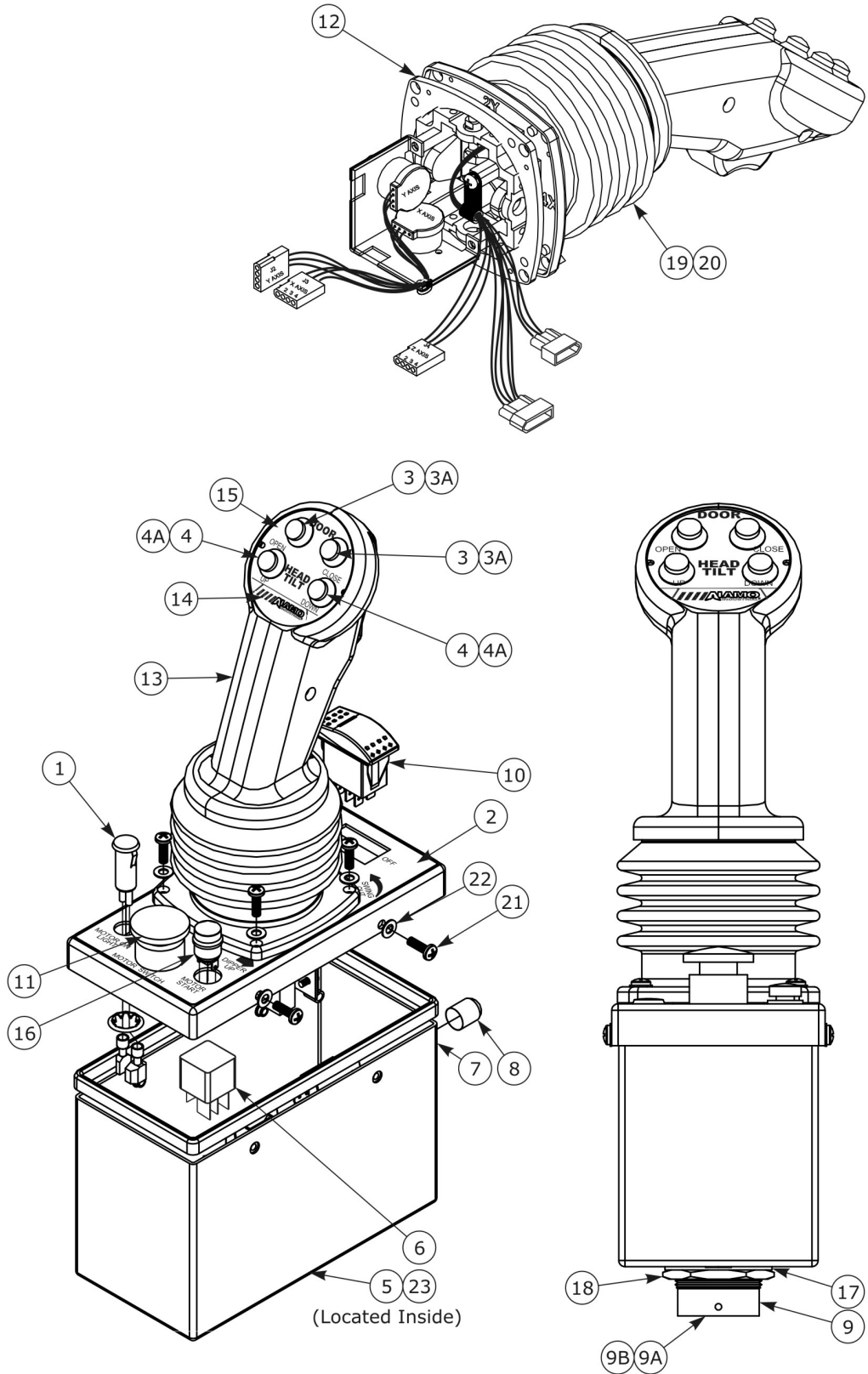


HYDRAULIC TANK W/PUMP AND ELECT VALVE ASY

Continued...

ITEM	PART NO.	QTY.	DESCRIPTION
	02987401	1	ASY, COMPLETE, TANK & VALVE
1	02985829	1	ASY, TANK, HYDRAULIC
2	02984219	1	ASY, VALVE & FITTINGS
3	02978986	1	PUMP, HYDROSTAT
4	02981369	1	PUMP, LS VARIABLE DISP
5	02043600	2	ADP, HYD ELBOW 16MB - 16MJ 45
6	02981435	1	ADP, HYD ELBOW 10MB - 10FJX 90
7	02968167	1	ADP, HYD 16MB - 8MJ ST
8	02822700	1	ADP, HYD ELBOW 16MB - 12MJ 90
9	03200587	1	ADP, HYD. 8MB PLUG
10	63042700	1	ADP, HYD ST 12MB - 8MJ
11	02968922	1	ASY, PRESSURE FILTER HEAD
12	02161400	1	ADP, HYD ELBOW 12MB - 8MJ 90
13	02968923	1	ELEMENT, PRESSURE
14	02981437	1	ADP, HYD ST 12MB - 10MJ
15	02892000	6	HHCS 1/2NC 1-1/2 LG PL8
16	00001300	4	LOCKWASHER 1/2
17	00759635	4	FLATWASHER, 1/2 HARDENED
18	02981468	1	BRACKET, SHIPPING
19	02981463	1	FLANGE, ADP 1-1/4 X 20MJIC 45
20	00749103	1	#20 SPLIT FLANGE KIT
21	00001800	4	LOCKNUT TLM 1/2 NC PLB
22	02090800	1	ADP, HYD ELBOW 12MB - 12MJ 90
23	00753642	4	HHCS 3/8 NC 1-1/4 PL5
24	00011100	4	FLATWASHER 3/8 STD
25	00015800	4	LOCKNUT TLM 3/8 NC PLC
26	02962181	3	ADP HYD STGHT 4MB-4MJ
27	02968896	1	PLASTIC TIE, ORANGE, 11LG
28	02968894	1	PLASTIC TIE, RED, 11LG
29	02982469	1	O-RING 4"ID X 1/16"
30	02970702	1	ADP HYD TEE 4MJ-4MJ-4FJX
31	02983892	1	PLATE, ADP, PVG32
32	10119000	4	HHCS 5/16 NC 1 PL5
33	00011700	4	LOCKWASHER 5/16 PL STD
34	00023500	4	FLATWASHER 5/16, TYPE AW, ZP

JOYSTICK CONSOLE ASY

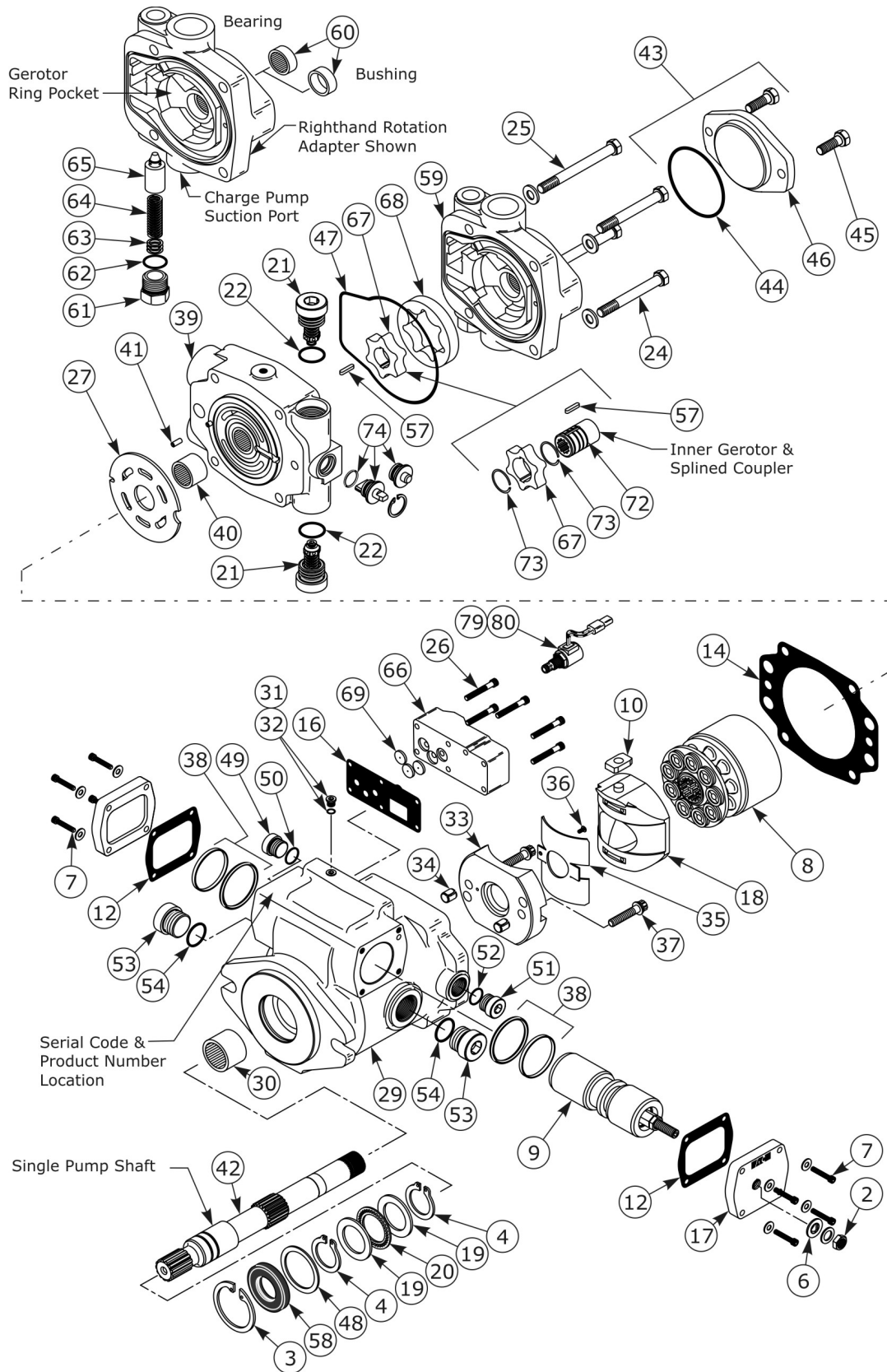


JOYSTICK CONSOLE ASY

Continued...

ITEM	PART NO.	QTY.	DESCRIPTION
	02987829	1	JOYSTICK ASSEMBLY W/ COMPONENTS
1	02981020	1	LED RED 12VDC
2	02981021	1	DECAL JOYSTICK OPERATION CNSLE
3	02981022	2	SWITCH MOMNTRY PUSHBUTTON RED
3A	02983472	2	PUSH BOTTOM CAP RED
4	02981023	2	SWITCH MOMNTRY PUSHBUTTON BLK
4A	02983473	2	BOTTON COVER BLACK
5	02981024	1	SOCKET RELAY
6	02981025	1	RELAY SPDT 12VDC 20A
7	02981026	1	CIRCUIT BREAKER 10A PANEL MNT
8	02981027	1	BOOT CIRCUIT BREAKER COVER
9	02977642	1	CONNECTOR RECEPTACLE
9A	02977645	17	PIN, 16-18 AWG
9B	02977646	4	PIN, 12AWG
10	02977643	1	NUT, PANEL - 24 SHELL SIZE
11	02981028	1	SWITCH PUSH PULL
12	02981029	1	JOYSTICK ASSEMBLY
13	02981031	1	HANDLE ASSEMBLY
14	02981032	1	DECAL SWITCH OPERATION HANDLE
15	02981033	1	ASSEMBLY PUSHBUTTON FACE PLATE
16	02981030	1	SWITCH MOMENTARY PUSHBUTTON
17	02977644	1	LOCKWASHER - 24 SHELL SIZE
18	02977043	1	SWITCH ROCKER DPDT W/GREEN LED
19	02983475	1	POTENTIOMETER - SWING
20	02983476	2	POTENTIOMETER - LIFT & DIPPER
21	02983477	8	MACHINE SCREW #10-32 5/8 LG.
22	02983478	8	WASHER #10 NYLON
23	02963584	1	LOCKNUT 8-32 PL
	02987905	1	TRIGGER SWITCH

PUMP ASY - SERVO CONTROLLED (PART 1)

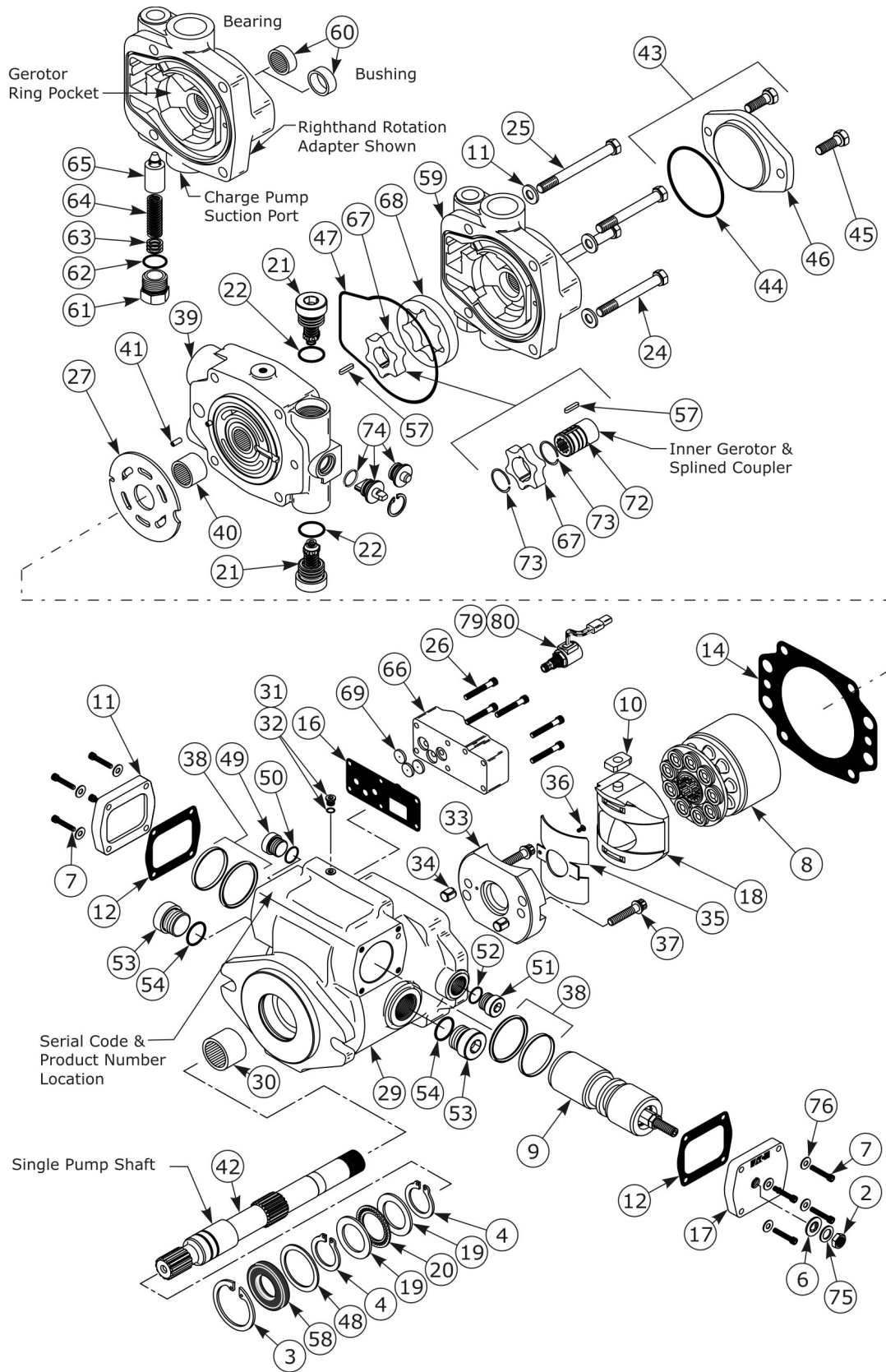


PUMP ASY - SERVO CONTROLLED (PART 1)

Continued...

ITEM	PART NO.	QTY.	DESCRIPTION
	02969527A	1	PISTON PUMP ASY, SERVO CONTROLLED
2	02977418	1	JAM NUT
3	02977419	1	RETAINING RING
4	02977420	2	RETAINING RING
6	02977421	1	SEAL WASHER
7	02977422	8	BOLT
8	02977423	1	ROTATING ASY
9	02977424	1	SERVO PISTON SUB-ASY
10	02977425	1	FOLLOWER, SERVO PISTON
11	02977426	1	COVER PLATE
12	02977427	2	GASKET, F/ COVER PLATE
14	02977428	1	GASKET, F/ HOUSING
16	02970209	1	GASKET, F/ CONTROL HOUSING
17	02977430	1	COVER PLATE
18	02977431	1	CAM PLATE SUB-ASY
19	02977432	2	RACE, THRUST
20	02977433	1	BEARING, THRUST
21	02977434	2	RELIEF VALVE SUB-ASY
22	02977525	2	O-RING
23	02977434	1	RELIEF VALVE SUB-ASY
24	02977436	2	BOLT
25	02977437	2	BOLT
26	02970208	6	BOLT
27	02977439	1	PLATE, VALVE
28	02977440	1	HOUSING, SUB-ASY
29	02977526	1	HOUSING
30	02977527	1	BEARING
31	02977528	1	PLUG, SUB-ASY
32	02977529	1	O-RING
33	02977530	1	CRADLE, SUB-ASY
34	02977531	2	DOWEL BUSHING
35	02977532	1	BUSHING
36	02977533	1	BOLT, BUTTON HEAD
37	02977534	2	BOLT
38	02977535	2	SEAL SUB-ASY
39	02977441	1	BACK PLATE SUB-ASY
40	02977536	1	BEARING, PRESS FIT
41	02977537	1	ROLL PIN
42	02977325	1	SHAFT, SPLINED DRIVE
43	02977551	1	KIT, A-FLANGE COVER PLATE
44	02977442	1	O-RING

PUMP ASY - SERVO CONTROLLED (PART 2)

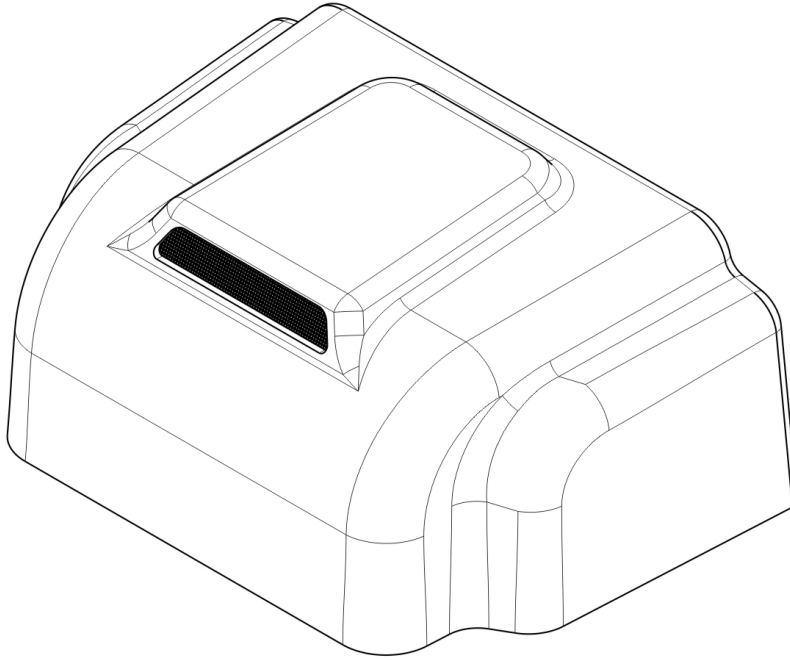


PUMP ASY - SERVO CONTROLLED (PART 2)

Continued...

ITEM	PART NO.	QTY.	DESCRIPTION
45	02977444	2	BOLT
46	02977449	1	PLATE, COVER
47	02977443	1	O-RING
48	02977445	1	WASHER
49	02977446	1	PLUG SUB-ASY
50	02977538	1	O-RING
51	02977540	1	PLUG
52	02977541	1	O-RING
53	02977447	2	PLUG
54	02977539	2	O-RING
57	02977448	1	KEY
58	02977199	1	SEAL, SHAFT
59	-----	1	CHARGE PUMP ADAPTER SUB-ASY
60	02977543	1	BUSHING, PRESS FIT, W/ 11 TOOTH SHAFT
61	02977544	1	PLUG
62	02977545	1	O-RING
63	02977546	1	SHIM
64	02977547	1	SPRING
65	02977548	1	POPPET
66	02970207	1	2 POSITION SERVO CONTROL SUB-ASY
67	02977451	1	GEROTOR, INNER RING
68	02977452	1	GEROTOR, OUTER RING
69	02977453	3	ORIFICE, CONTROL VALVE
72	02977456	1	COUPLER
73	02977457	2	RETAINING RING
74	02977458	1	PLUG SUB-ASY
75	02977459	1	WASHER
76	02977460	8	WASHER
77	02977461	4	WASHER
78	02977462	1	RING LOCK (NOT SHOWN)
79	02972835	1	CARTRIDGE VALVE ASY, W/O COIL - F/COILS W/RND METAL HSG (UNITS SHIPPED JUNE 2005 & UP)
	02983257	1	CARTRIDGE VALVE ASY, W/O COIL - F/COILS W/SQ PLASTIC HSG (UNITS SHIPPED MAY 2005 & DOWN)
80	02972836	1	COIL ASY, COIL W/RND METAL HSG (UNITS SHIPPED JUNE 2005 & UP)
	02983256	1	COIL ASY, COIL W/SQ PLASTIC HSG (UNITS SHIPPED MAY 2005 & DOWN)
-	02977086	1	SEAL KIT - PUMP

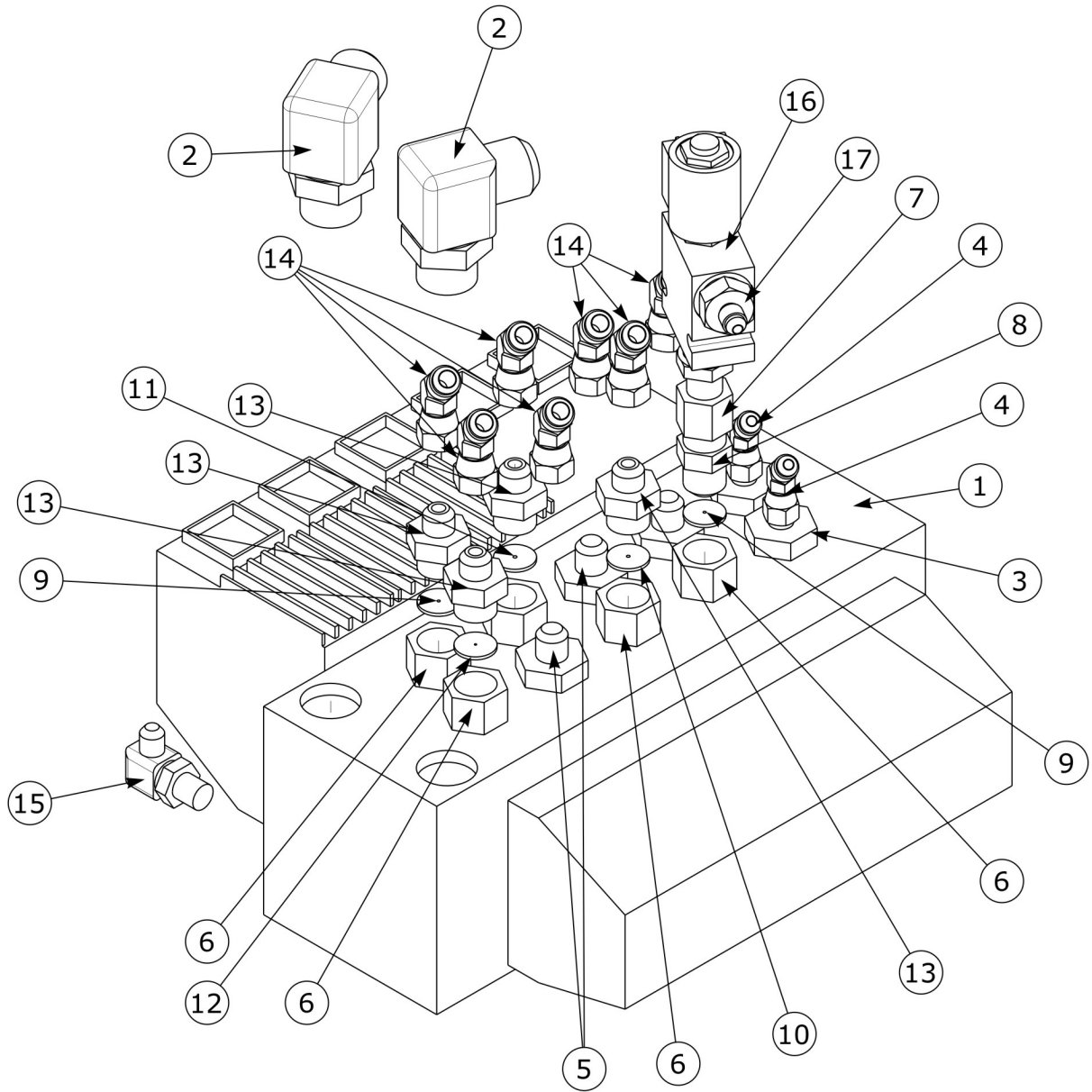
PUMP-TANK-VALVE COVER



ITEM	PART NO.	QTY.	DESCRIPTION
1	02981381	1	ASY, PUMP COVER
-	02981441	2	KNOB 3/8NC X 1-1/2 STUD
	02986111	3.3	CABLE, PUMP COVER 36" LG
	00001000	2	CABLE CLAMP

THIS PAGE INTENTIONAL LEFT BLANK

VALVE ASSEMBLY - ELECTRO-HYDRAULIC VALVE

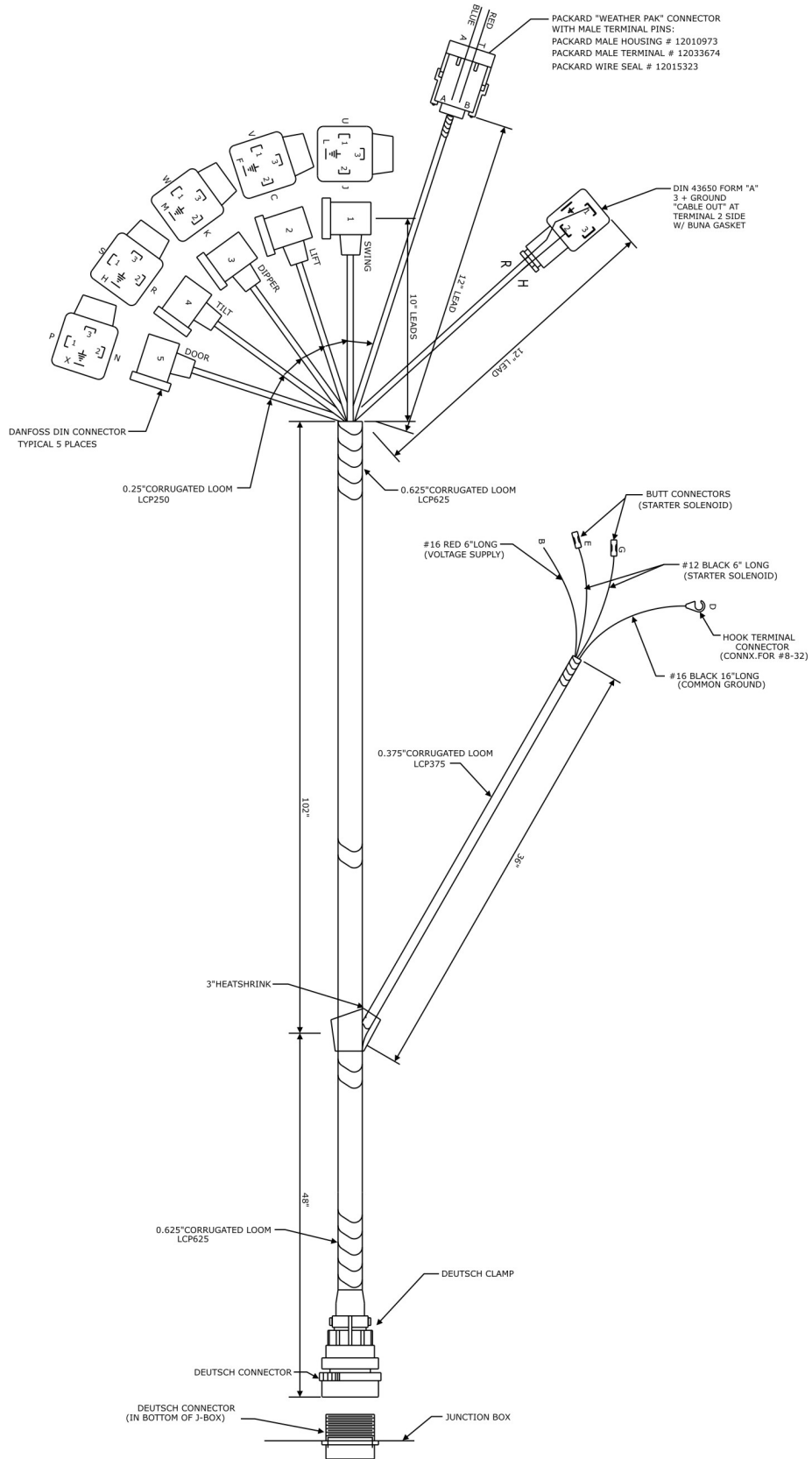


VALVE ASSEMBLY - ELECTRO-HYDRAULIC VALVE

Continued...

ITEM	PART NO.	QTY.	DESCRIPTION
-	02984219	1	ASY VALVE CCLS 5 SPOOL
1	02971378	1	VALVE, PVG32
2	02090800	2	ADP, HYD ELBOW 12MB - 12MJ 90
3	02972179	2	ADP, HYD ST 10MB - 4MJ
4	02976532	2	ADP, HYD, 4MJ-4FJX 45
5	02972177	3	ADP, HYD ST 10MB - 6MJ
6	02972113	5	ADP, HYD 10MB - 8FB
7	02975438	1	ADP, HYD STGHT 8FJX-8MB
8	00696800	1	ADP HYD STGHT 8MB-8MJ 90°
9	02969398	2	ORIFICE, .055 RESTRICTOR
10	02972209	1	ORIFICE, .063 RESTRICTOR
11	02972210	1	ORIFICE, .070 RESTRICTOR
12	02969399	1	ORIFICE, .040 RESTRICTOR
13	02968850	4	ADP, HYD ST 8MB-6MJ
14	02976531	7	ADP HYD ELBOW 6MJ-6FJX 45
15	02972178	1	ADP, HYD ELBOW 12MB - 8MJ 90
16	02972208A	1	ASY, VALVE SOLENOID
17	02822300	1	ADP, HYD ST 8MB-4MJ

WIRE HARNESS ELECT-HYD VALVE



WIRE HARNESS ELECT-HYD VALVE

Continued...

ITEM	PART NO.	QTY.	DESCRIPTION
1	02984735	1	ASY, HARNESS, MACHETE

ALAMO INDUSTRIAL

Limited Warranty

1. LIMITED WARRANTIES

- 1.01. Alamo Industrial warrants for one year from the purchase date to the original non-commercial, governmental, or municipal purchaser ("Purchaser") and warrants for six months to the original commercial or industrial purchaser ("Purchaser") that the goods purchased are free from defects in material or workmanship.
- 1.02. Manufacturer will replace for the Purchaser any part or parts found, upon examination at one of its factories, to be defective under normal use and service due to defects in material or workmanship.
- 1.03. This limited warranty does not apply to any part of the goods which has been subjected to improper or abnormal use, negligence, alteration, modification, or accident, damaged due to lack of maintenance or use of wrong fuel, oil, or lubricants, or which has served its normal life. This limited warranty does not apply to any part of any internal combustion engine, or expendable items such as blades, shields, guards, or pneumatic tires except as specifically found in your Operator's Manual.
- 1.04. Except as provided herein, no employee, agent, Dealer, or other person is authorized to give any warranties of any nature on behalf of Manufacturer.

2. REMEDIES AND PROCEDURES.

- 2.01. This limited warranty is not effective unless the Purchaser returns the Registration and Warranty Form to Manufacturer within 30 days of purchase.
- 2.02. Purchaser claims must be made in writing to the Authorized Dealer ("Dealer") from whom Purchaser purchased the goods or an approved Authorized Dealer ("Dealer") within 30 days after Purchaser learns of the facts on which the claim is based.
- 2.03. Purchaser is responsible for returning the goods in question to the Dealer.
- 2.04. If after examining the goods and/or parts in question, Manufacturer finds them to be defective under normal use and service due to defects in material or workmanship, Manufacturer will:
 - (a) Repair or replace the defective goods or part(s) or
 - (b) Reimburse Purchaser for the cost of the part(s) and reasonable labor charges (as determined by Manufacturer) if Purchaser paid for the repair and/or replacement prior to the final determination of applicability of the warranty by Manufacturer.The choice of remedy shall belong to Manufacturer.
- 2.05. Purchaser is responsible for any labor charges exceeding a reasonable amount as determined by Manufacturer and for returning the goods to the Dealer, whether or not the claim is approved. Purchaser is responsible for the transportation cost for the goods or part(s) from the Dealer to the designated factory.

3. LIMITATION OF LIABILITY.

- 3.01. MANUFACTURER DISCLAIMS ANY EXPRESS (EXCEPT AS SET FORTH HEREIN) AND IMPLIED WARRANTIES WITH RESPECT TO THE GOODS INCLUDING, BUT NOT LIMITED TO, MERCHANTABILITY AND FITNESS FOR A PARTICULAR PURPOSE.
- 3.02. MANUFACTURER MAKES NO WARRANTY AS TO THE DESIGN, CAPABILITY, CAPACITY, OR SUITABILITY FOR USE OF THE GOODS.
- 3.03. EXCEPT AS PROVIDED HEREIN, MANUFACTURER SHALL HAVE NO LIABILITY OR RESPONSIBILITY TO PURCHASER OR ANY OTHER PERSON OR ENTITY WITH RESPECT TO ANY LIABILITY, LOSS, OR DAMAGE CAUSED OR ALLEGED TO BE CAUSED DIRECTLY OR INDIRECTLY BY THE GOODS INCLUDING, BUT NOT LIMITED TO, ANY INDIRECT, SPECIAL, CONSEQUENTIAL, OR INCIDENTAL DAMAGES RESULTING FROM THE USE OR OPERATION OF THE GOODS OR ANY BREACH OF THIS WARRANTY. NOT WITHSTANDING THE ABOVE LIMITATIONS AND WARRANTIES, MANUFACTURER'S LIABILITY HEREUNDER FOR DAMAGES INCURRED BY PURCHASER OR OTHERS SHALL NOT EXCEED THE PRICE OF THE GOODS.
- 3.04. NO ACTION ARISING OUT OF ANY CLAIMED BREACH OF THIS WARRANTY OR TRANSACTIONS UNDER THIS WARRANTY MAY BE BROUGHT MORE THAN TWO (2) YEARS AFTER THE CAUSE OF ACTION HAS OCCURRED.

4. MISCELLANEOUS.

- 4.01. Proper Venue for any lawsuits arising from or related to this limited warranty shall be only in Guadalupe County, Texas.
- 4.02. Manufacturer may waive compliance with any of the terms of this limited warranty, but no waiver of any terms shall be deemed to be a waiver of any other term.
- 4.03. If any provision of this limited warranty shall violate any applicable law and is held to be unenforceable, then the invalidity of such provision shall not invalidate any other provisions herein.
- 4.04. Applicable law may provide rights and benefits to purchaser in addition to those provided herein.

KEEP FOR YOUR RECORDS

ATTENTION: Purchaser should fill in the blanks below for his reference when buying repair parts and/or for proper machine identification when applying for warranty.

Alamo Industrial Implement Model _____ Serial Number _____
Date Purchased _____ Dealer _____

ATTENTION:
READ YOUR OPERATOR'S MANUAL

ALAMO INDUSTRIAL

1502 E. Walnut
Seguin, Texas 78155
830-379-1480





TO THE OWNER/OPERATOR/DEALER

To keep your implement running efficiently and safely, read your manual thoroughly and follow these directions and the Safety Messages in this Manual. The Table of Contents clearly identifies each section where you can easily find the information you need.

The OCCUPATIONAL SAFETY AND HEALTH ACT (1928.51 Subpart C) makes these minimum safety requirements of tractor operators:

REQUIRED OF THE OWNER:

1. Provide a Roll-Over-Protective Structure that meets the requirements of this Standard; and
2. Provide Seatbelts that meet the requirements of this paragraph of this Standard and SAE J4C; and
3. Ensure that each employee uses such Seatbelt while the tractor is moving; and
4. Ensure that each employee tightens the Seatbelt sufficiently to confine the employee to the protected area provided by the ROPS.

REQUIRED OF THE OPERATOR

1. Securely fasten seatbelt if the tractor has a ROPS.
2. Where possible, avoid operating the tractor near ditches, embankments, and holes.
3. Reduce speed when turning, crossing slopes, and on rough, slick, or muddy surfaces.
4. Stay off slopes too steep for safe operation.
5. Watch where you are going - especially at row ends, on roads, and around trees.
6. Do not permit others to ride.
7. Operate the tractor smoothly - no jerky turns, starts, or stops.
8. Hitch only to the drawbar and hitch points recommended by the tractor manufacturer.
9. When the tractor is stopped, set brakes securely and use park lock, if available.

Keep children away from danger all day, every day...

Equip tractors with rollover protection (ROPS) and keep all machinery guards in place...

Please work, drive, play and live each day with care and concern for your safety and that of your family and fellow citizens.

